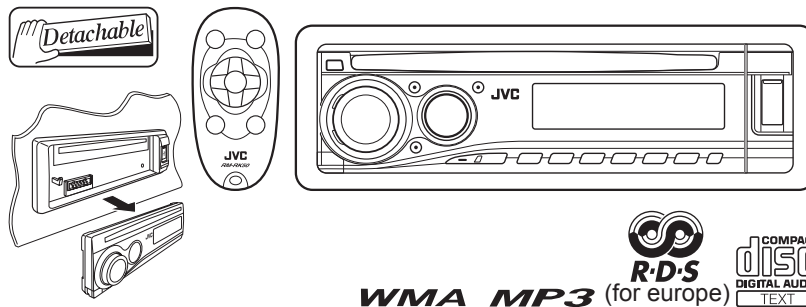


JVC

SERVICE MANUAL

CD RECEIVER

**KD-G631E, KD-G631EX, KD-G631EU,
KD-G631EY, KD-G632E, KD-G632EX,
KD-G632EU, KD-G632EY, KD-G635U,
KD-G635UN, KD-G635UH, KD-G635UT,
KD-G634UI, KD-G638UF**



Lead free solder used in the board (material : Sn-Ag-Cu, melting point : 219 Centigrade)

Lead free solder used in the board (material : Sn-Cu, melting point : 230 Centigrade)

TABLE OF CONTENTS

1	PRECAUTIONS	1-3
2	SPECIFIC SERVICE INSTRUCTIONS	1-6
3	DISASSEMBLY	1-7
4	ADJUSTMENT	1-10
5	TROUBLESHOOTING	1-11


SPECIFICATION


AUDIO AMPLIFIER SECTION		
Maximum Power Output	Front/Rear	50 W per channel
Continuous Power Output (RMS)	Front/Rear	19 W per channel into 4 Ω , 40 Hz to 20 000 Hz at no more than 0.8% total harmonic distortion.
	Load Impedance	4 Ω (4 Ω to 8 Ω allowance)
Tone Control Range	Bass	± 12 dB at 60 Hz
	Mid-range	± 12 dB at 1 kHz
	Treble	± 12 dB at 10 kHz
	Frequency Response	40 Hz to 20 000 Hz
	Signal-to-Noise Ratio	70 dB
	Line-Out Level/Impedance	2.5 V/20 k Ω load (full scale)
	Output Impedance	1 k Ω
	Other Terminals	CD changer, Steering wheel remote input, USB input jack
TUNER SECTION		
Frequency Range	FM	87.5 MHz to 108.0 MHz
	AM (for europe)	MW: 522 kHz to 1 620 kHz
		LW: 144 kHz to 279 kHz
	AM (for asia)	531 kHz to 1 602 kHz
FM Tuner	Usable Sensitivity	11.3 dBf (1.0 μ V/75 Ω)
	50 dB Quieting Sensitivity	16.3 dBf (1.8 μ V/75 Ω)
	Alternate Channel Selectivity (400 kHz)	65 dB
	Frequency Response	40 Hz to 15 000 Hz
	Stereo Separation	30 dB
MW Tuner (for europe)	Sensitivity/Selectivity	20 μ V/35 dB
LW Tuner (for europe)	Sensitivity	50 μ V
AM Tuner (for asia)	Sensitivity	20 μ V
	Selectivity	35 dB
CD PLAYER / USB MEMORY SECTION		
Type	Compact disc player	
Signal Detection System	Non-contact optical pickup (semiconductor laser)	
Number of Channels	2 channels (stereo)	
Frequency Response	5 Hz to 20 000 Hz	
Dynamic Range	96 dB	
Signal-to-Noise Ratio	98 dB	
Wow and Flutter	Less than measurable limit	
MP3 Decoding Format: (MPEG1/2 Audio Layer 3)	Max. Bit Rate : 320 kbps	
WMA (Windows Media® Audio) Decoding Format	Max. Bit Rate : 192 kbps	
Playable USB memory	Format	FAT 12/16/32
	Storage	Less than 4 GB (1 partition type)
	Playable Audio Format	MP3/WMA
	Max. Current	Less than 500 mA
GENERAL		
Power Requirement	Operating Voltage	DC 14.4 V (11 V to 16 V allowance)
	Grounding System	Negative ground
	Allowable Operating Temperature	0°C to +40°C
Dimensions (W × H × D) (approx.)	Installation Size	182 mm × 52 mm × 150 mm
	Panel Size	188 mm × 58 mm × 12 mm
	Mass	1.4 kg (excluding accessories)

Design and specifications are subject to change without notice.

SECTION 1 PRECAUTIONS

1.1 Safety Precautions

 **CAUTION** Burrs formed during molding may be left over on some parts of the chassis. Therefore, pay attention to such burrs in the case of performing repair of this system.

 **CAUTION** Please use enough caution not to see the beam directly or touch it in case of an adjustment or operation check.

1.2 Preventing static electricity

Electrostatic discharge (ESD), which occurs when static electricity stored in the body, fabric, etc. is discharged, can destroy the laser diode in the traverse unit (optical pickup). Take care to prevent this when performing repairs.

1.2.1 Grounding to prevent damage by static electricity

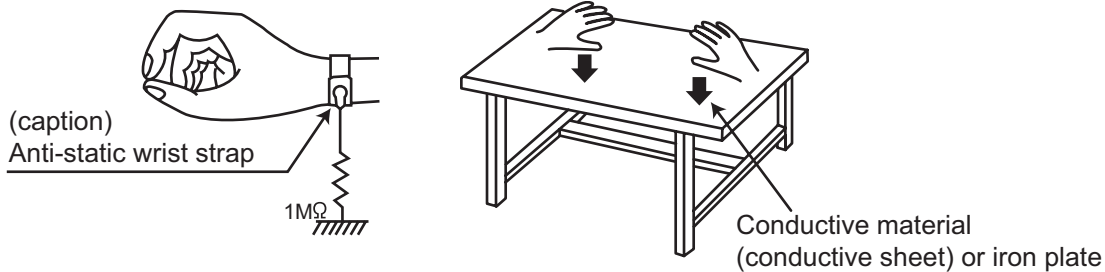
Static electricity in the work area can destroy the optical pickup (laser diode) in devices such as CD players. Be careful to use proper grounding in the area where repairs are being performed.

(1) Ground the workbench

Ground the workbench by laying conductive material (such as a conductive sheet) or an iron plate over it before placing the traverse unit (optical pickup) on it.

(2) Ground yourself

Use an anti-static wrist strap to release any static electricity built up in your body.



(3) Handling the optical pickup

- In order to maintain quality during transport and before installation, both sides of the laser diode on the replacement optical pickup are shorted. After replacement, return the shorted parts to their original condition. (Refer to the text.)
- Do not use a tester to check the condition of the laser diode in the optical pickup. The tester's internal power source can easily destroy the laser diode.

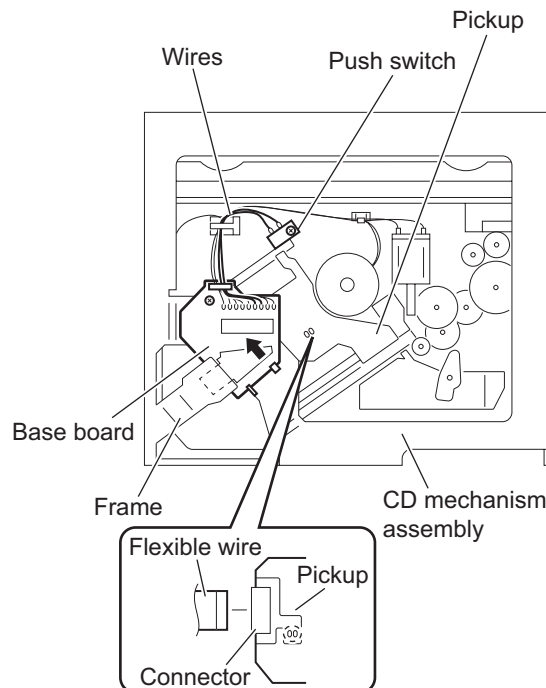
1.3 Handling the traverse unit (optical pickup)

- (1) Do not subject the traverse unit (optical pickup) to strong shocks, as it is a sensitive, complex unit.
- (2) Cut off the shorted part of the flexible cable using nippers, etc. after replacing the optical pickup. For specific details, refer to the replacement procedure in the text. Remove the anti-static pin when replacing the traverse unit. Be careful not to take too long a time when attaching it to the connector.
- (3) Handle the flexible cable carefully as it may break when subjected to strong force.
- (4) It is not possible to adjust the semi-fixed resistor that adjusts the laser power. Do not turn it.

1.4 Attention when traverse unit is decomposed

***Please refer to "Disassembly method" in the text for the CD pickup unit.**

- Apply solder to the short land before the flexible wire is disconnected from the connector on the CD pickup unit. (If the flexible wire is disconnected without applying solder, the CD pickup may be destroyed by static electricity.)
- In the assembly, be sure to remove solder from the short land after connecting the flexible wire.



1.5 Important for laser products

when open. Do not view directly with optical instruments

ACHTUNG: Sichtbare und/oder unsichtbare Laserstrahlung der Klasse 1M bei offenen Abdeckungen. Nicht direkt mit optischen Instrumenten betrachten.

ATTENTION: Rayonnement laser visible et/ou invisible de classe 1M une fois ouvert. Ne pas regarder directement avec des instruments optiques.

VOORZICHTIG: Zichtbare en/of onzichtbare klasse 1M laserstralen indien geopend. Bekijk niet direct met optische instrumenten.

ATTENZIONE: Radiazione laser in classe 1M visibile e/o invisibile quando aperto. Non osservare direttamente con strumenti ottici.

VARNING: Synlig och/eller osynlig laserstrålning, klass 1M, när denna del är öppnad. Betrakta ej strålen med optiska instrument.

VARO! Avattaessa olet alttiina näkyvälle ja/tai näkymättömälle luokan 1M lasersäteilylle. Älä tarkastele sitä optisen laitteen läpi.

ADVARSEL: Synlig og/eller usynlig klasse 1M-laserstråling ved åbning. Se ikke direkte med optiske instrumenter.

AVISO: Radiación láser de clase 1M visible y/o invisible cuando está abierto. No mirar directamente con instrumental óptico.

PRECAUÇÃO: Radiação laser de classe 1M visível e/ou invisível quando aberto. Não olhe diretamente com instrumentos ópticos.

необходимо не смотреть непосредственно в оптические инструменты.

UWAGA: Otwarcie spowoduje narażenie na widzialne i/lub niewidzialne promieniowanie lasera klasy 1M. Nie patrzeć bezpośrednio w przyrządy optyczne.

UPOZORNĚNÍ: Při otevření vydává viditelné popř. neviditelné laserové ozáření třídy 1M. Nedívejte se do otvoru přímo s optickými nástroji.

FIGYELMEZTETÉS: Látható és/vagy láthatatlan 1M osztályú sugárzás nyitott állapotban. Ne nézze közvetlenül optikai műszerekkel.

注意：打開蓋板可能會產生可見或不可見的 1M 級鐳射。不要使用光學儀器直接進行窺視。

注意：打开盖板可能会产生可见或不可见的 1M 级辐射。不要使用光学仪器直接进行窥视。

تنبيه: يوجد إشعاع ليزري مرئي و/أو غير مرئي من الفئة 1M عندما يكون الجهاز مفتوحاً. تجنب النظر مباشرة داخل الجهاز باستخدام أدوات بصرية.

احتياط: هنگامی که باز گردد، تشعشع مرئی و یا نامرئی کلاس 1M لیزر وجود دارد. با لوازم چشمی مستقیماً به آن نگاه نکنید.

주의: 개방하면 가시 및/또는 비가시 클래스 1M 레이저 방사선이 나옵니다. 광학 기구로 직접 들여다보지 마십시오.

REPRODUCTION AND POSITION OF LABELS and PRINT WARNING LABEL and PRINT



CAUTION VISIBLE AND/OR INVISIBLE CLASS 1M LASER RADIATION WHEN OPEN. DO NOT VIEW DIRECTLY WITH OPTICAL INSTRUMENTS. IEC60825-1:2001 (ENG)	ATTENTION RAYONNEMENT LASER VISIBLE ET/OU INVISIBLE DE CLASSE 1M UNE FOIS OUVERT. NE PAS REGARDER DIRECTEMENT AVEC DES INSTRUMENTS OPTIQUES. (FRA)	AVISO RADIACIÓN LÁSER DE CLASE 1M VISIBLE Y/O INVISIBLE CUANDO ESTÁ ABIERTO. NO MIRAR DIRECTAMENTE CON INSTRUMENTAL ÓPTICO. (ESP)	VARNING SYNLIG OCH/ELLER OSYNLIG LASERSTRÅLNING, KLAS 1M, NÅR DENNA DEL ÄR ÖPPNAD. BETRakta EJ STRÅLEN MED OPTISKA INSTRUMENT. (SWE)	注意 ここを覗くと可視 及び/または不可視 のクラス 1M レーザー放射が 出ます。 光学装置で直接 見ないでください。 (JPN)	CAUTION VISIBLE AND/OR INVISIBLE CLASS 1 LASER RADIATION WHEN OPEN. DO NOT STARE INTO BEAM. FDA 21 CFR (ENG)
--	--	---	--	---	---

SECTION 3 DISASSEMBLY

3.1 Main body

3.1.1 Removing the Bottom cover (See Fig.1)

- (1) Disengage the five hooks **a** engaged Bottom cover.

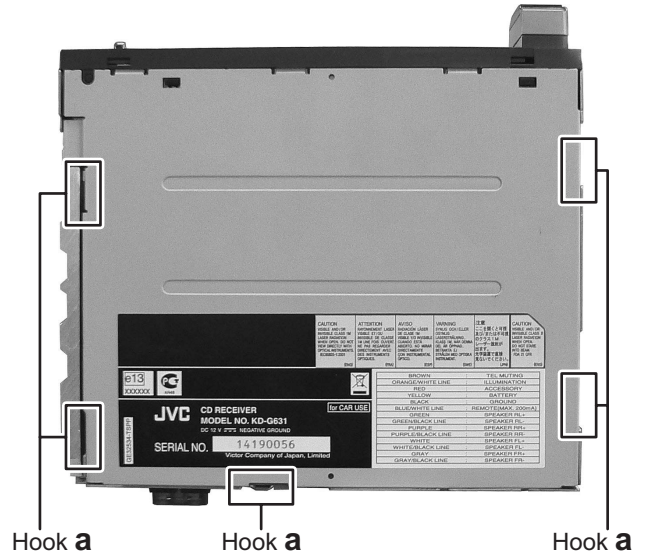


Fig.1

3.1.2 Removing the Front chassis (See Fig.2)

- (1) Remove the two screws **A** (both side) attaching the Front chassis.
- (2) Disengage the two hooks **b** (both side) engaged the Front chassis.

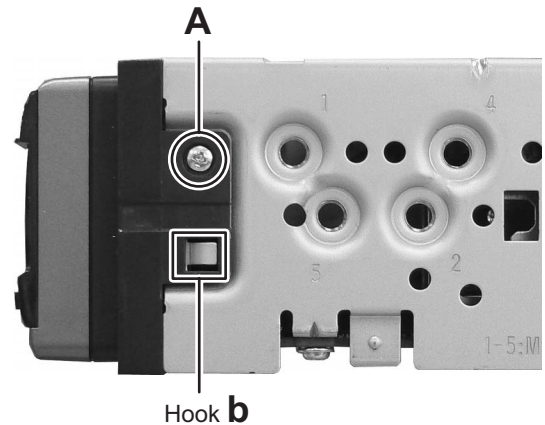


Fig.2

3.1.3 Removing the Rear bracket (See Fig.3)

- (1) Remove the one screw **B** attaching the remote cable. (only for Europe models)
- (2) Remove the one screw **C** attaching the antenna jack.
- (3) Remove the one screw **D** attaching the LINE OUT jack.
- (4) Remove the one screw **E** attaching the CD-CH jack.
- (5) Remove the one screw **F** attaching the IC bracket.
- (6) Remove the two screws **G** attaching the 16pin connector jack.
- (7) Remove the three screws **H** attaching the Rear bracket.

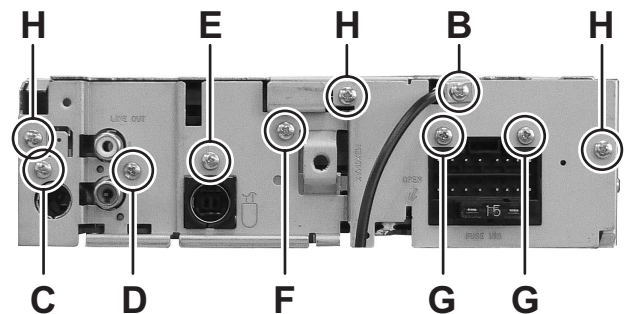


Fig.3

3.1.4 Removing the Heat sink (See Fig.4)

- (1) Remove the two screws **J** and three screws **K** attaching the Heat sink.

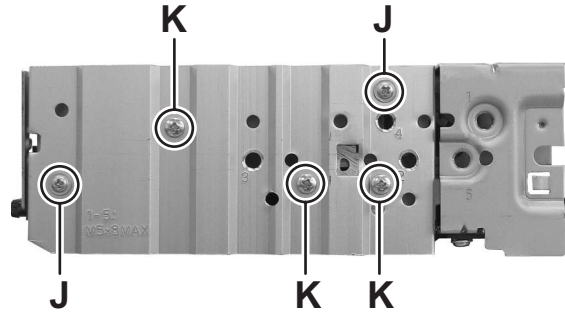


Fig.4

3.1.5 Removing the Main board assembly (See Fig.5)

- (1) Remove the three screws **L** attaching the Main board assembly.
- (2) Disconnect the connector [CN501](#) connected the Main board assembly and CD board assembly.

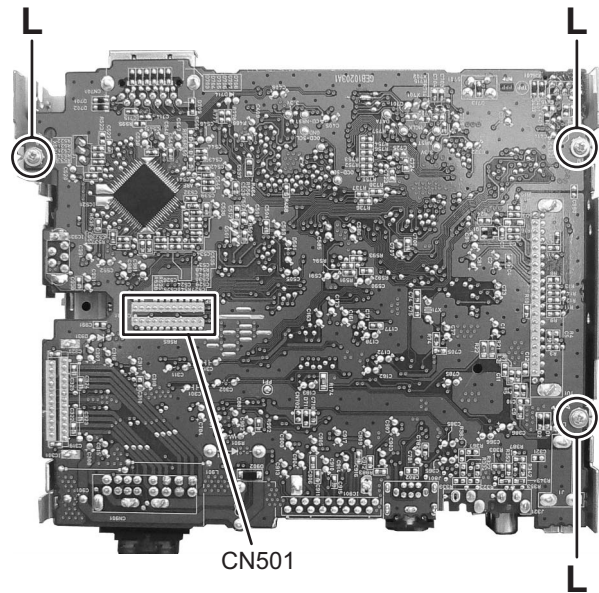


Fig.5

3.1.6 Removing the CD mechanism assembly (See Fig.6)

- (1) Remove the three screws **M** attaching the CD mechanism assembly.

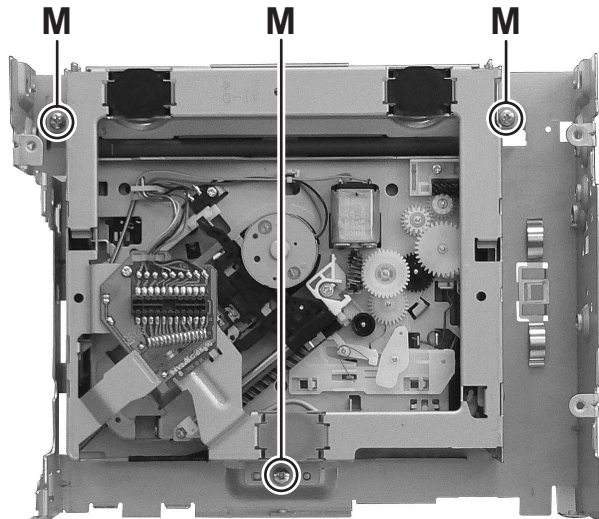


Fig.6

3.2 Front panel assembly

3.2.1 Removing the Rear cover

(See Fig.7)

- (1) Remove the Volume knob from Front panel assembly.
- (2) Remove the five screws **N** attaching the Rear cover.
- (3) Disengage the twelve hooks **c** engaged Rear cover.

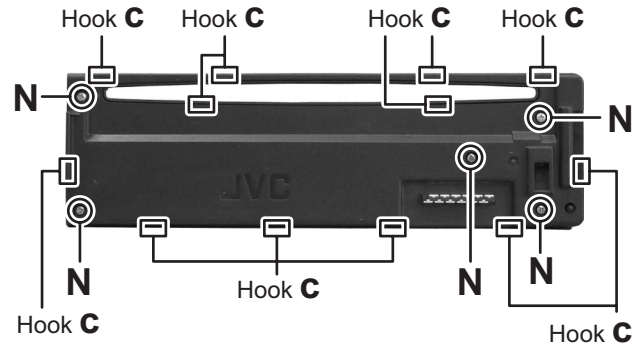


Fig.7

3.2.2 Removing the Switch board assembly

(See Fig.8)

- (1) Disengage the illumination lens from Front cover assembly.
- (2) Lift up the Switch board assembly and take out it.

CAUTION:

Detach knob and spring are easy to come off, do not lost them.

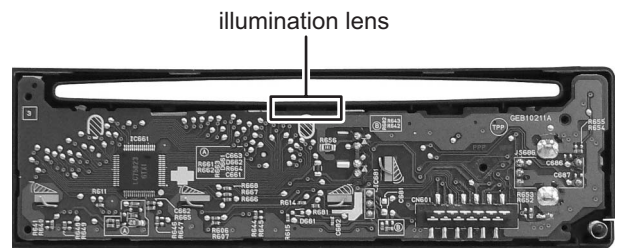


Fig.8

3.3 CD mechanism assembly

For CD mechanism, please refer mechanism manual TN2007-1010 ([No.MY005](#), [No.MY005B](#)).

SECTION 4 ADJUSTMENT

4.1 Test instruments required for adjustment

- (1) Digital oscilloscope (100MHz)
- (2) Electric voltmeter
- (3) Digital tester
- (4) Tracking offset meter
- (5) Test Disc JVC: CTS-1000
- (6) Extension cable for check
EXTSH002-22P × 1

4.2 Standard measuring conditions

Power supply voltage : DC14.4V(10.5 - 16V)
Load impedance : 20K Ω (2 Speakers connection)
Output Level : Line out 2.0V (Vol. MAX)

4.3 Standard volume position

Balance and Bass & Treble volume : Indication "0"
Loudness : OFF

4.4 Dummy load

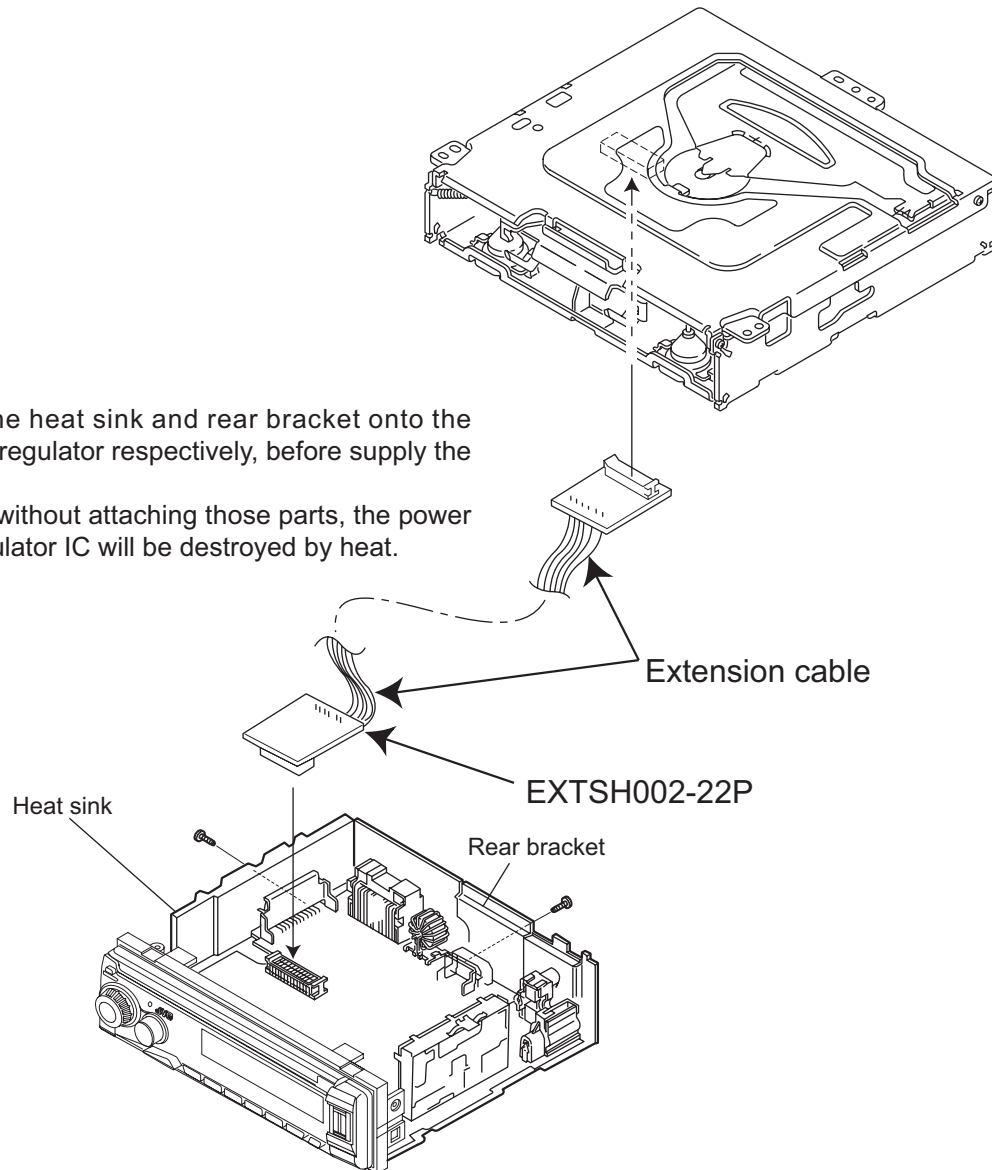
Exclusive dummy load should be used for AM, and FM. For FM dummy load, there is a loss of 6dB between SSG output and antenna input. The loss of 6dB need not be considered since direct reading of figures are applied in this working standard.

4.5 How to connect the extension cable for adjustment

CAUTION :

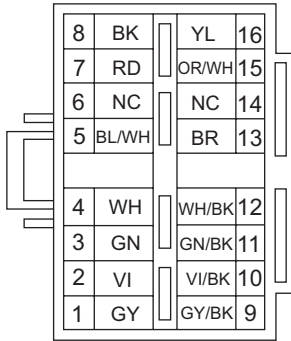
Be sure to attach the heat sink and rear bracket onto the power amplifier and regulator respectively, before supply the power.

If voltage is applied without attaching those parts, the power amplifier IC and regulator IC will be destroyed by heat.

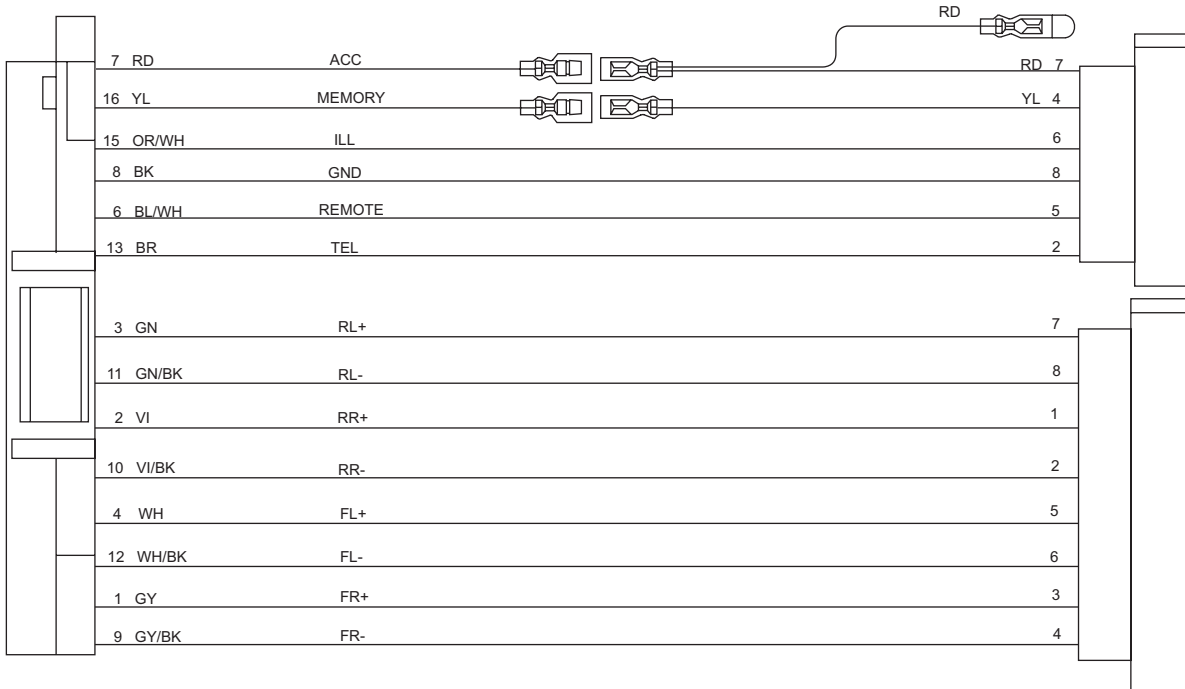
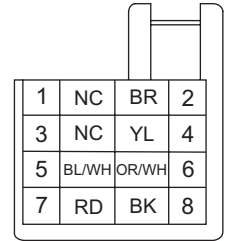


SECTION 5 TROUBLESHOOTING

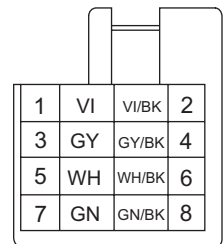
5.1 16 PIN CORD DIAGRAM (for Europe)



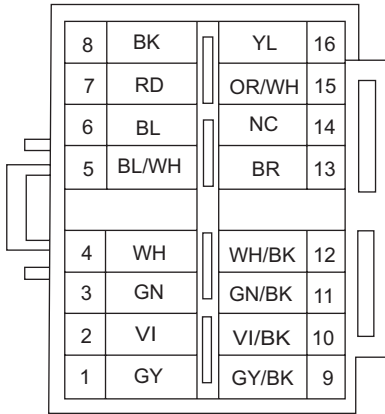
BK	Black	GN	Green
RD	Red	VI	Violet
BL	Blue	GY	Gray
WH	White	YL	Yellow
BR	Brown	OR	Orange



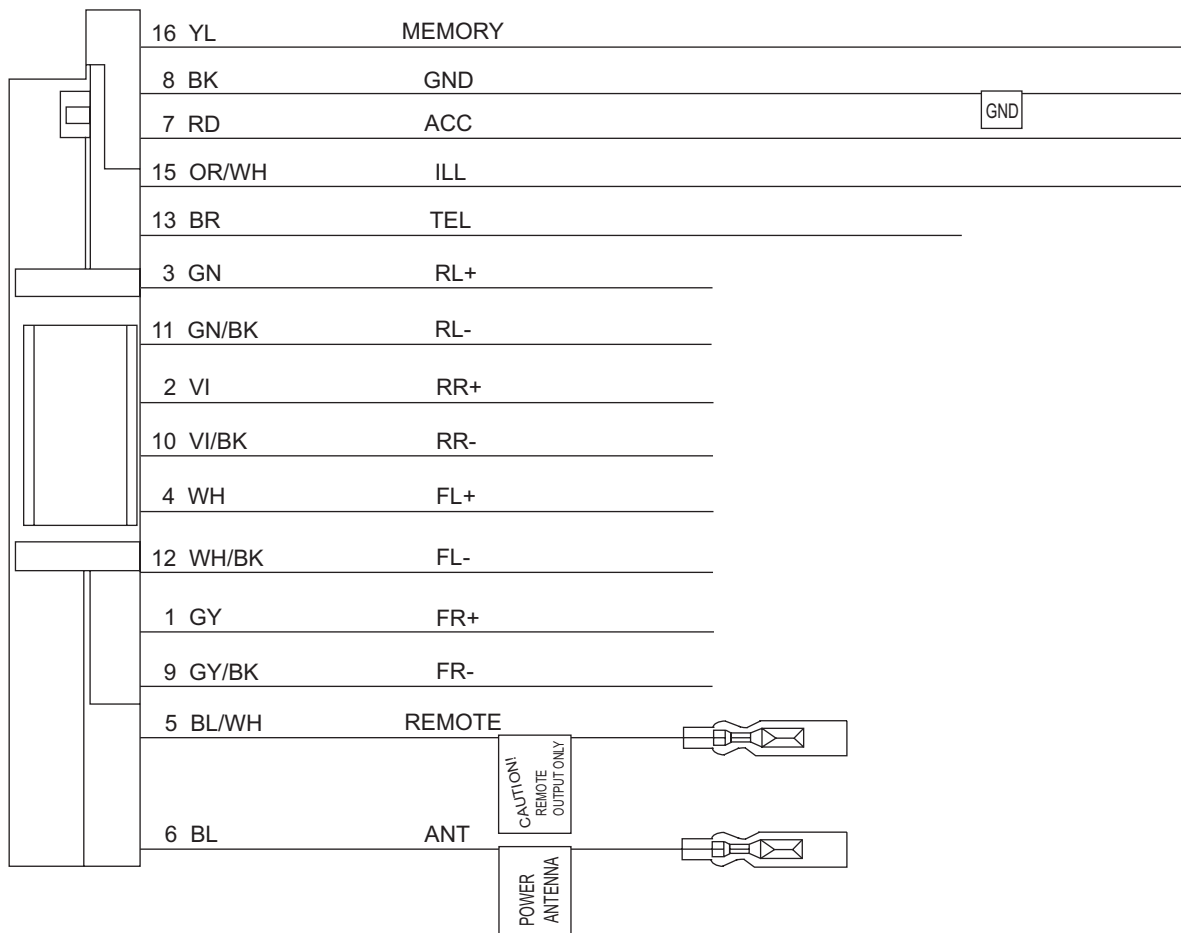
RR	Rear Right	ANT	Auto Antenna
FR	Front Right	ACC	ACC Line
FL	Front Left	TEL	Telephone Muting
RL	Rear Left	GND	Ground
REMOTE	Remote	MEMORY	Memory Backup Battery+
ILL	Illuminations Control		



5.2 16 PIN CORD DIAGRAM (for Asia)

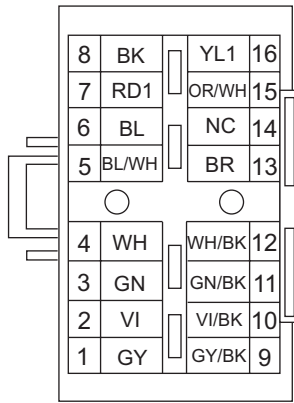


BK	Black	GN	Green
RD	Red	VI	Violet
BL	Blue	GY	Gray
WH	White	YL	Yellow
BR	Brown	OR	Orange

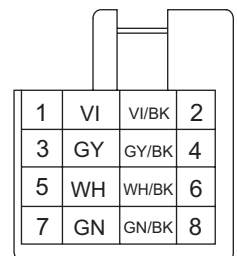
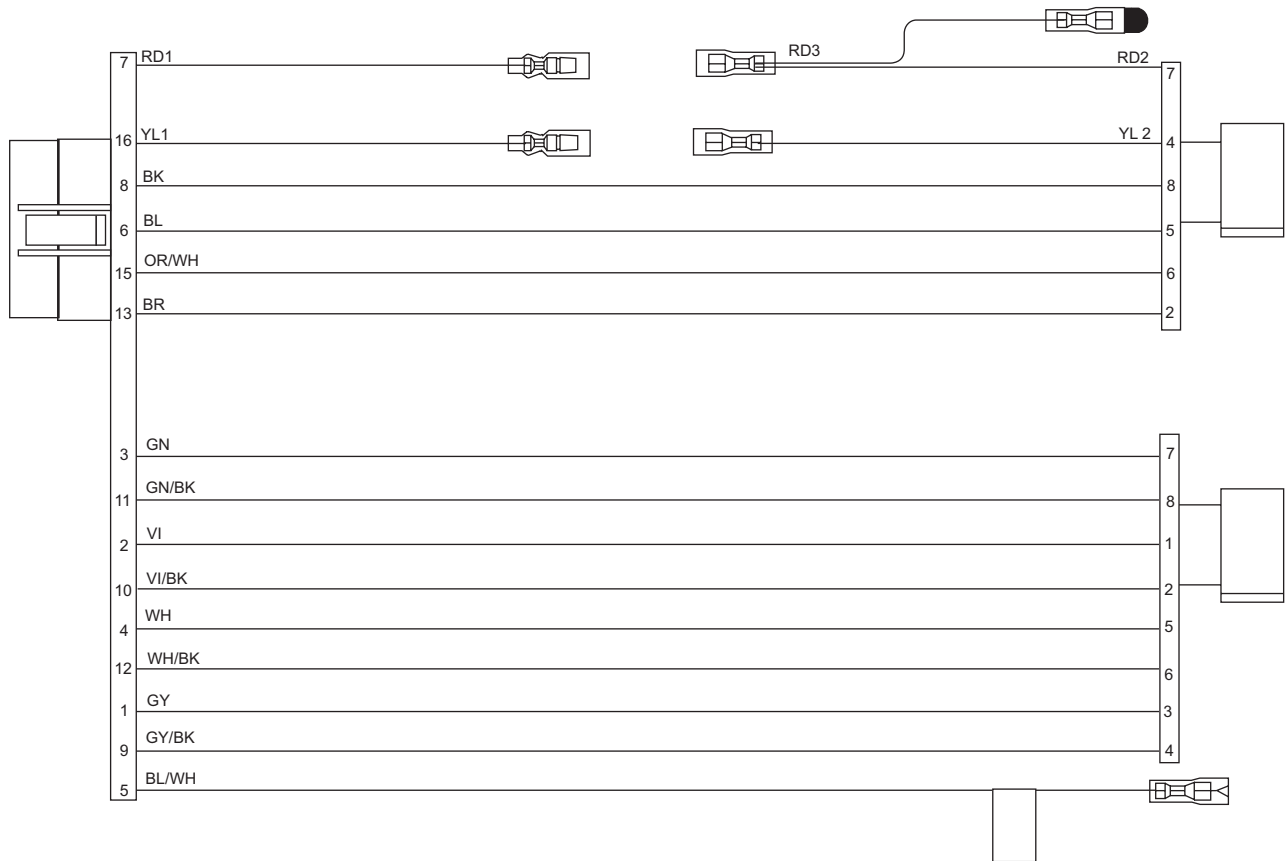
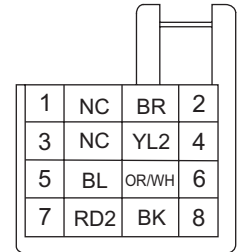


RR	Rear Right	ANT	Auto Antenna
FR	Front Right	ACC	ACC Line
FL	Front Left	ILL	Illuminations Control
RL	Rear Left	GND	Ground
REMOTE	Remote out	MEMORY	Memory Backup Battery+
TEL	Telephone muting		

5.3 16 PIN CORD DIAGRAM (for China)



BK	Black	GN	Green
RD	Red	VI	Violet
BL	Blue	GY	Gray
WH	White	YL	Yellow
BR	Brown	OR	Orange



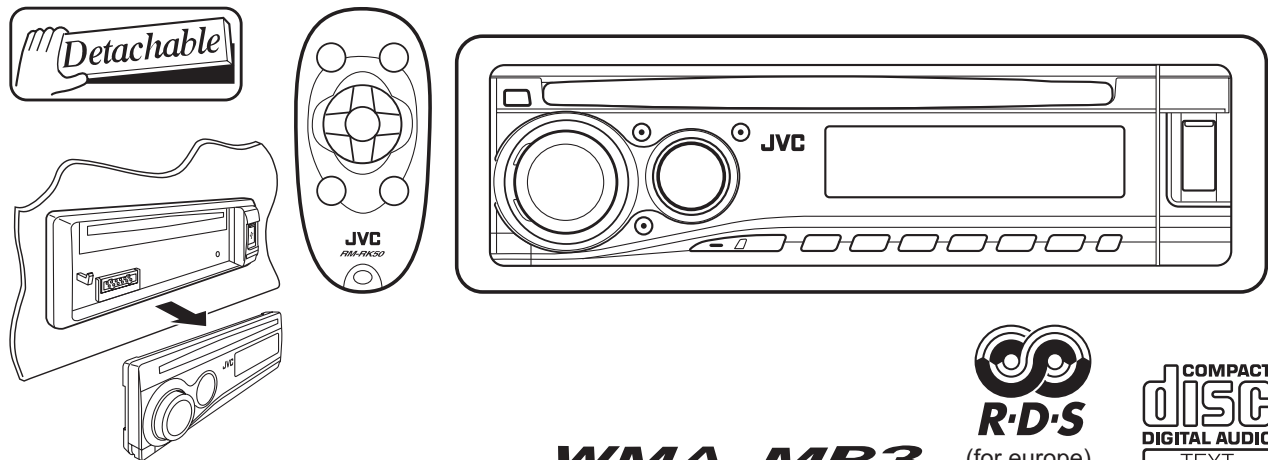
JVC

SCHEMATIC DIAGRAMS

CD RECEIVER

**KD-G631E, KD-G631EX, KD-G631EU
KD-G631EY, KD-G632E, KD-G632EX
KD-G632EU, KD-G632EY, KD-G635U
KD-G635UN, KD-G635UH, KD-G635UT
KD-G634UI, KD-G638UF**

CD-ROM No.SML200701



WMA MP3

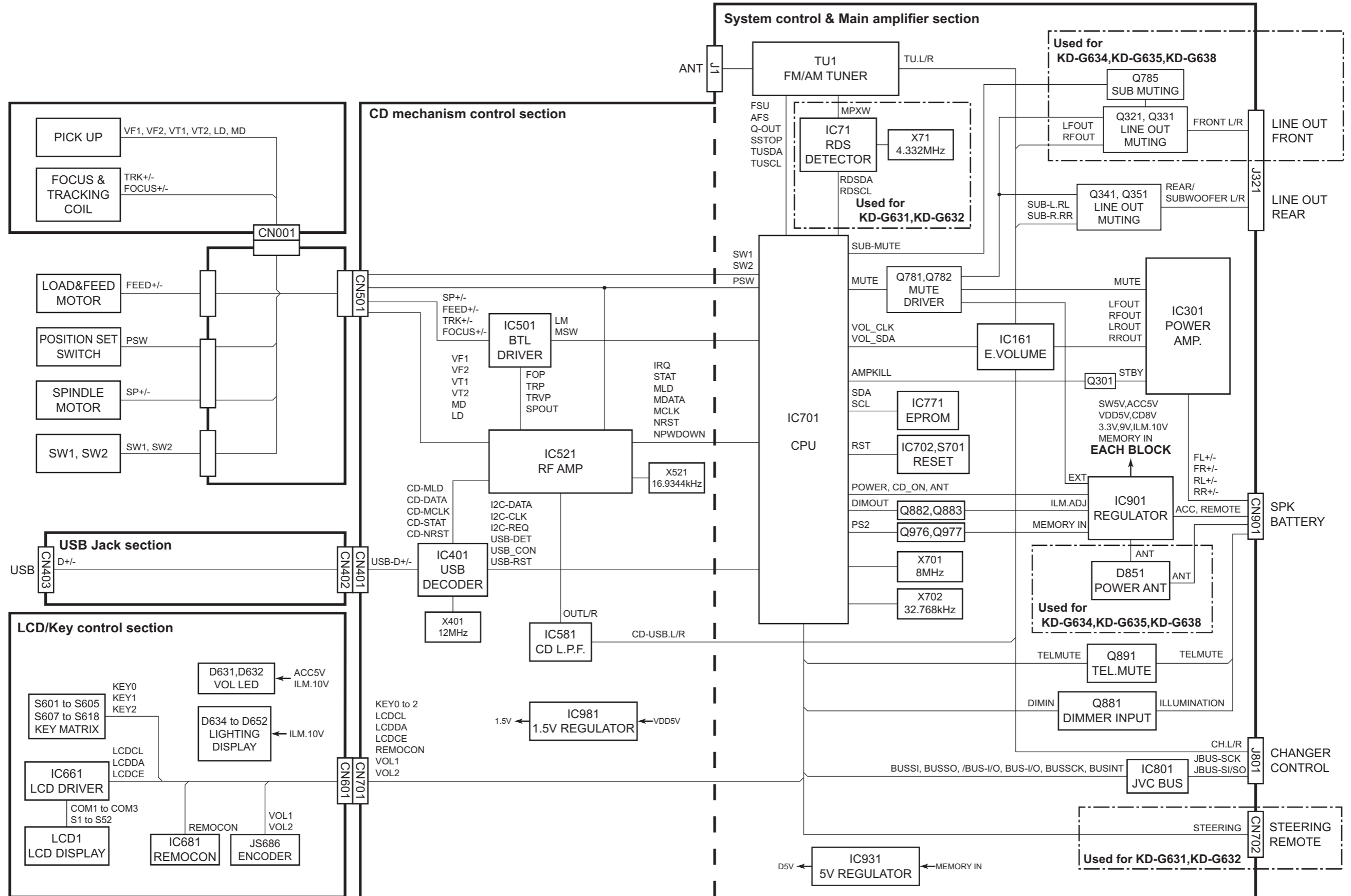


Lead free solder used in the board (material : Sn-Ag-Cu, melting point : 219 Centigrade)
Lead free solder used in the board (material : Sn-Cu, melting point : 230 Centigrade)

Contents

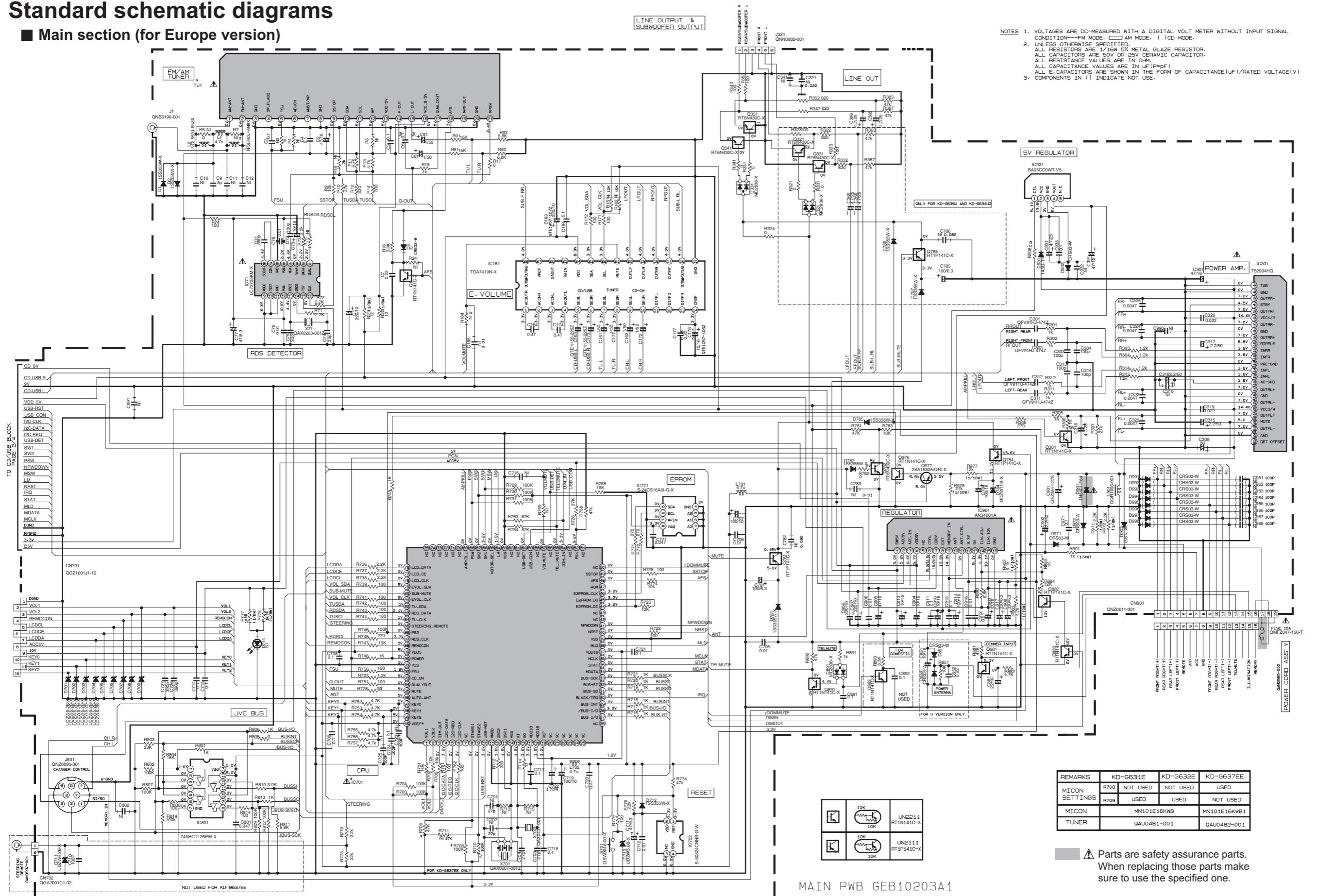
Block diagram	2-1
Standard schematic diagrams	2-2
Printed circuit boards	2-8

Block diagram



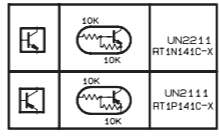
Standard schematic diagrams

■ Main section (for Europe version)



NOTES 1. VOLTAGES ARE DC-MEASURED WITH A DIGITAL VOLT METER WITHOUT INPUT SIGNAL
 CONDITION—FM MODE. () AM MODE. () CD MODE.
 2. UNLESS OTHERWISE SPECIFIED:
 ALL RESISTORS ARE 1/16W 5% METAL GLAZE RESISTOR.
 ALL CAPACITORS ARE 50V OR 25V CERAMIC CAPACITOR.
 ALL RESISTANCE VALUES ARE IN OHM.
 ALL CAPACITANCE VALUES ARE IN uF (P=pF)
 ALL E. CAPACITORS ARE SHOWN IN THE FORM OF CAPACITANCE(uF)/RATED VOLTAGE(V)
 3. COMPONENTS IN () INDICATE NOT USE.

REMARKS	KD-G631E	KD-G632E	KD-G637EE
MICON SETTINGS	R708 NOT USED	NOT USED	USED
MICON	R709 USED	USED	NOT USED
TUNER	GAU0481-001	MN101E16KWB	GAU0482-001



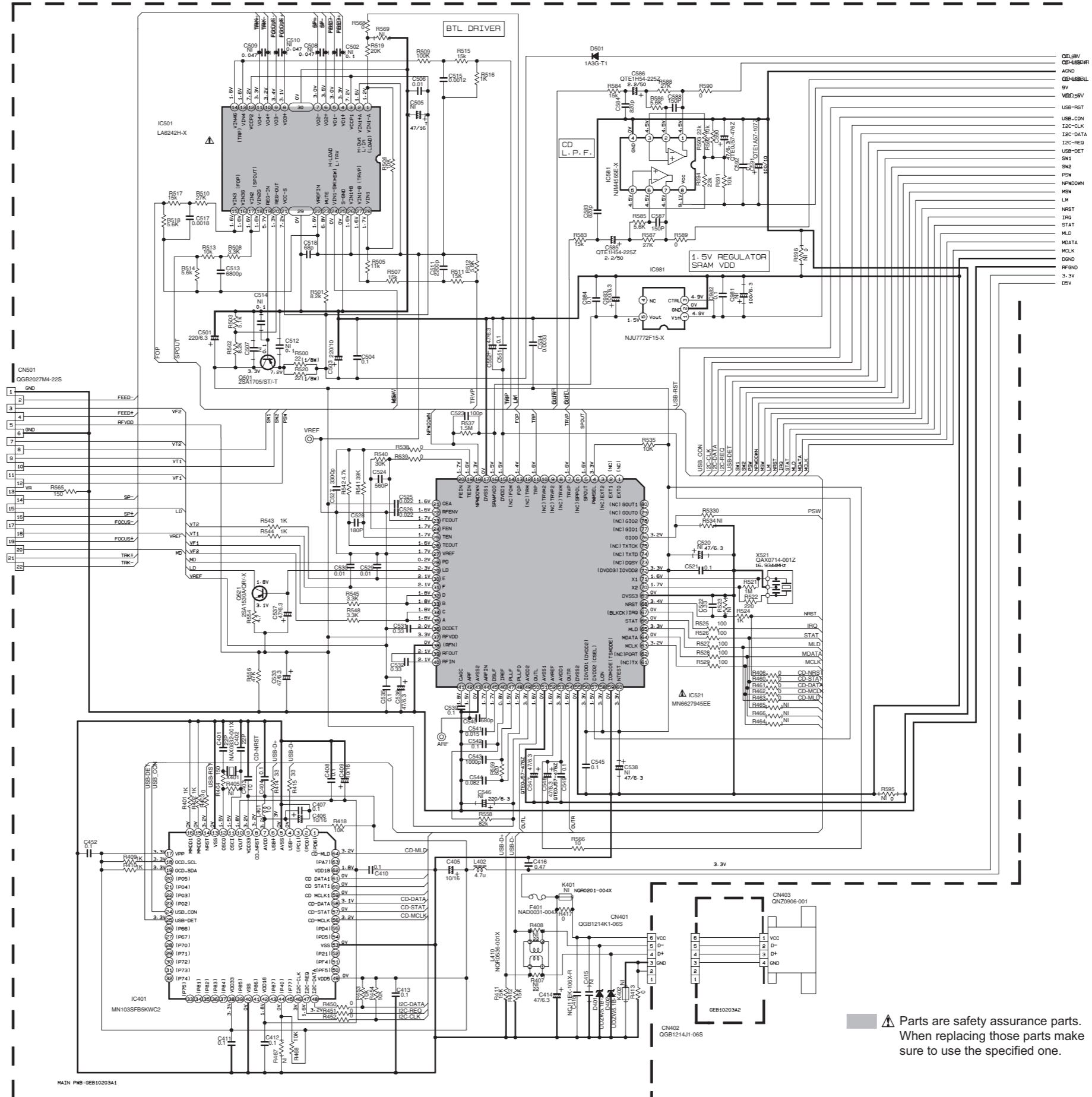
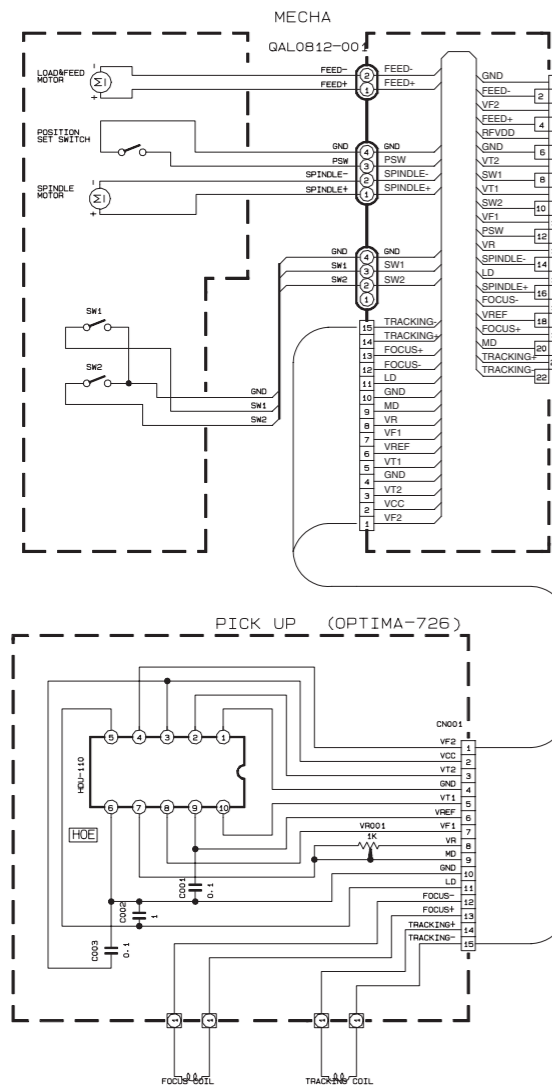
▲ Parts are safety assurance parts.
 When replacing those parts make sure to use the specified one.

MAIN PWB GEB10203A1

■ CD section (for Europe version)

MAIN PWB: GEB10203A1

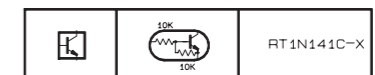
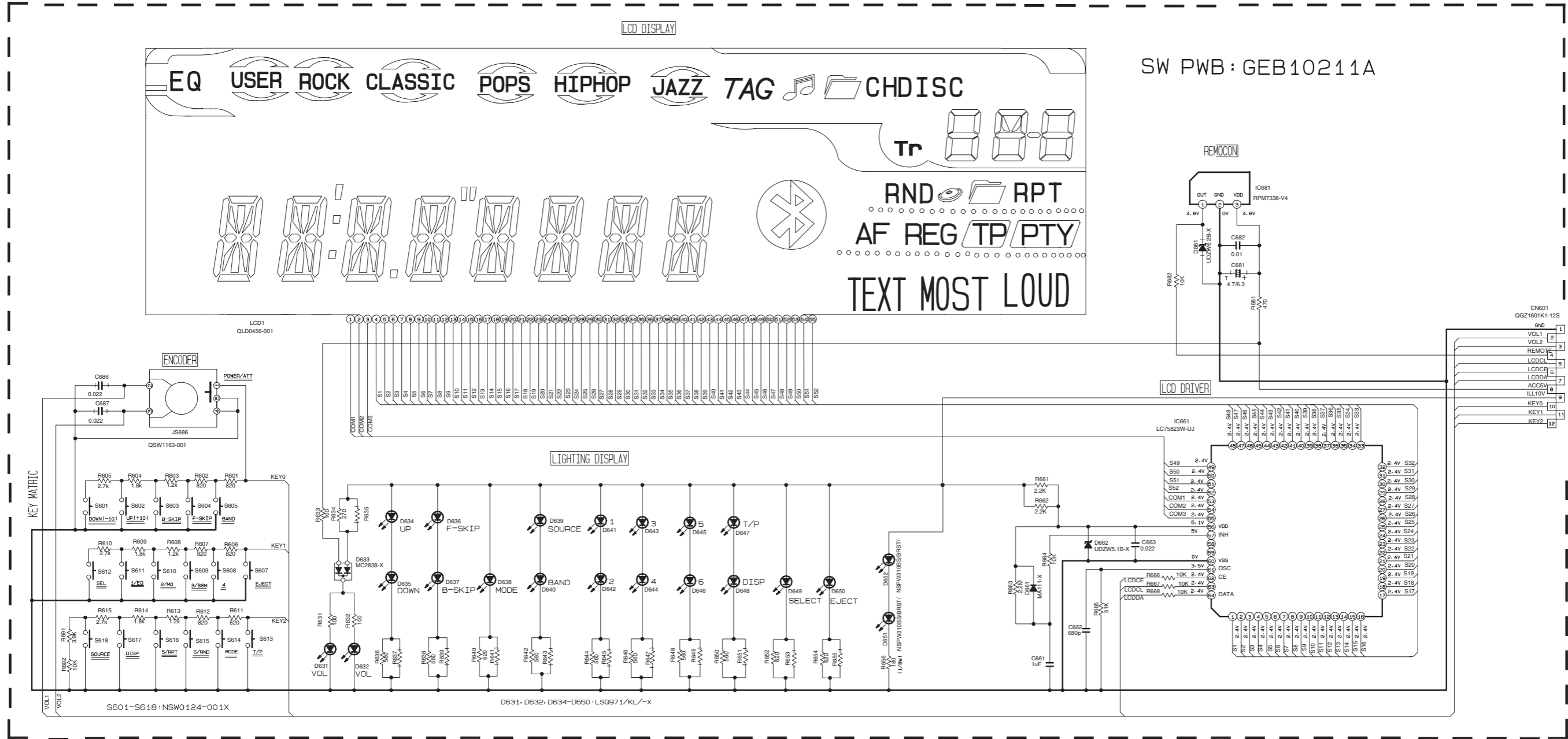
- NOTES:
- VOLTAGE ARE DC-MEASURED WITH A DIGITAL VOLTMETER WITHOUT INPUT SIGNAL CONDITION --- CD MODE.
 - UNLESS OTHERWISE SPECIFIED, ALL RESISTOR ARE 1/16W 5%METAL GLAZE RESISTOR. ALL CAPACITOR ARE 50V OR 25V CERAMIC CAPACITOR. ALL RESISTANCE VALUES ARE IN OHM. ALL CAPACITANCE VALUES ARE IN uF(ppF). ALL INDUCTANCE VALUES ARE IN uH. ALL E. CAPACITORS ARE SHOWN IN THE FORM OF CAPACITANCE(uF)/RATED VOLTAGE(V)



CD-5V
CD-4.85V
AGND
CD-4.85V
9V
VDD-5V
USB-RST
USB-CON
I2C-CLK
I2C-DATA
I2C-NEG
USB-DET
SW1
SW2
PSW
NRST
LM
IRQ
STAT
MLD
MDATA
MCLK
DGND
RFND
3.3V
DSV

▲ Parts are safety assurance parts. When replacing those parts make sure to use the specified one.

■ LCD and Key control section (for Europe version)

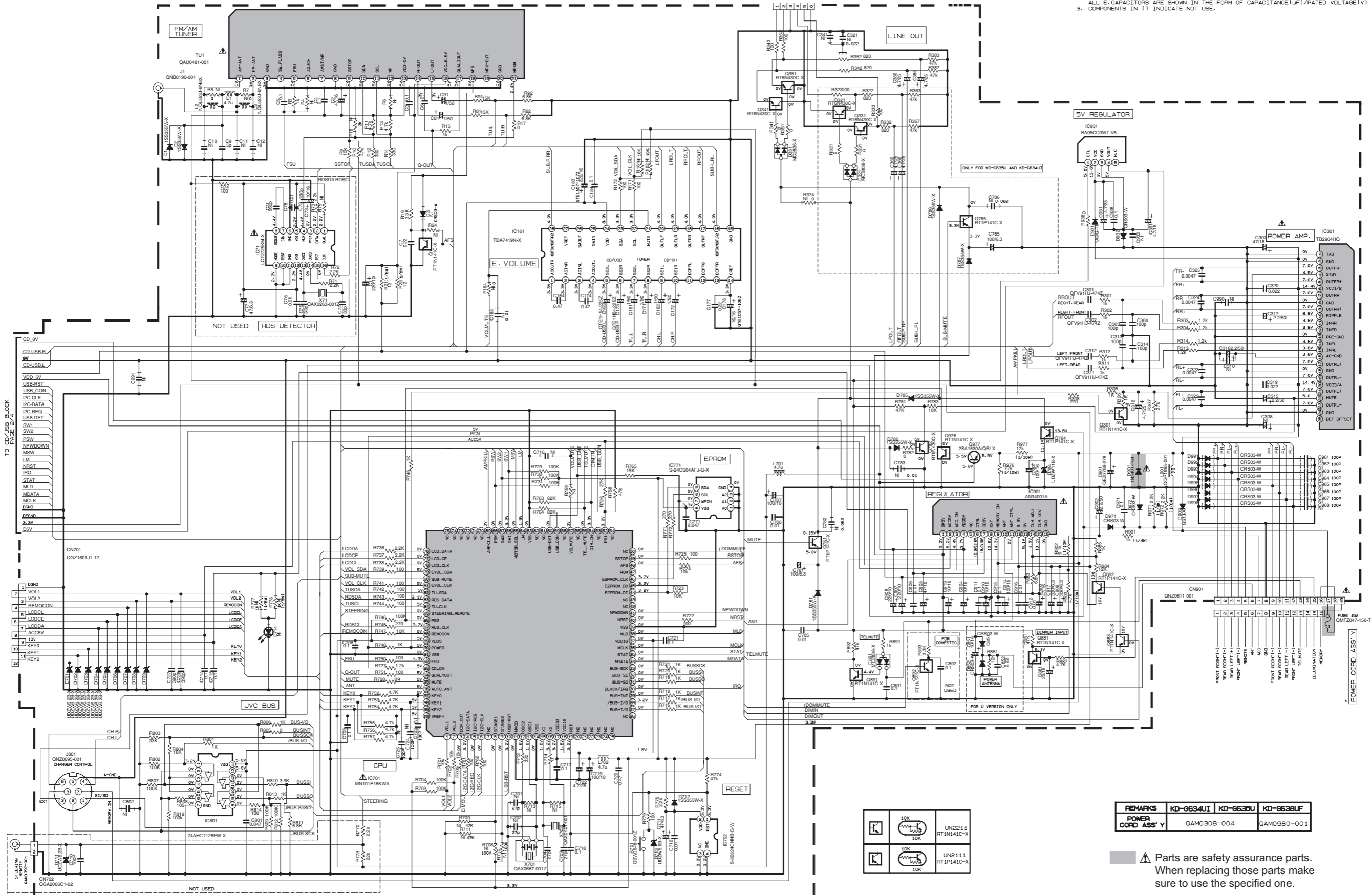


- NOTES
- VOLTAGES ARE DC-MEASURED WITH A DIGITAL VOLT METER WITHOUT INPUT SIGNAL.
 - UNLESS OTHERWISE SPECIFIED, ALL RESISTORS ARE 1/16W ±5% METAL GLAZE RESISTOR. ALL CAPACITORS ARE 50V OR 25V CERAMIC CAPACITOR. ALL RESISTANCE VALUES ARE IN OHM. ALL CAPACITANCE VALUES ARE IN μF (P=pF) ALL E. CAPACITORS ARE SHOWN IN THE FORM OF CAPACITANCE(μF)/RATED VOLTAGE(V) T --- TANTALUM CAPACITOR.
 - COMPONENTS IN () INDICATE NOT USE.

■ Main section (for Asia version)

LINE OUTPUT & SUBWOOFER OUTPUT

- NOTES 1. VOLTAGES ARE DC-MEASURED WITH A DIGITAL VOLT METER WITHOUT INPUT SIGNAL CONDITION—FM MODE. □ AM MODE. () CD MODE.
 2. UNLESS OTHERWISE SPECIFIED, ALL RESISTORS ARE 1/16W 5% METAL GLAZE RESISTOR. ALL CAPACITORS ARE 50V OR 25V CERAMIC CAPACITOR. ALL RESISTANCE VALUES ARE IN OHM. ALL CAPACITANCE VALUES ARE IN UF(P=PF)
 3. COMPONENTS IN () INDICATE NOT USE.



REMARKS	KD-6634U1	KD-6635U1	KD-6638U1
POWER CORD ASS'Y	GAM0308-004	GAM0980-001	

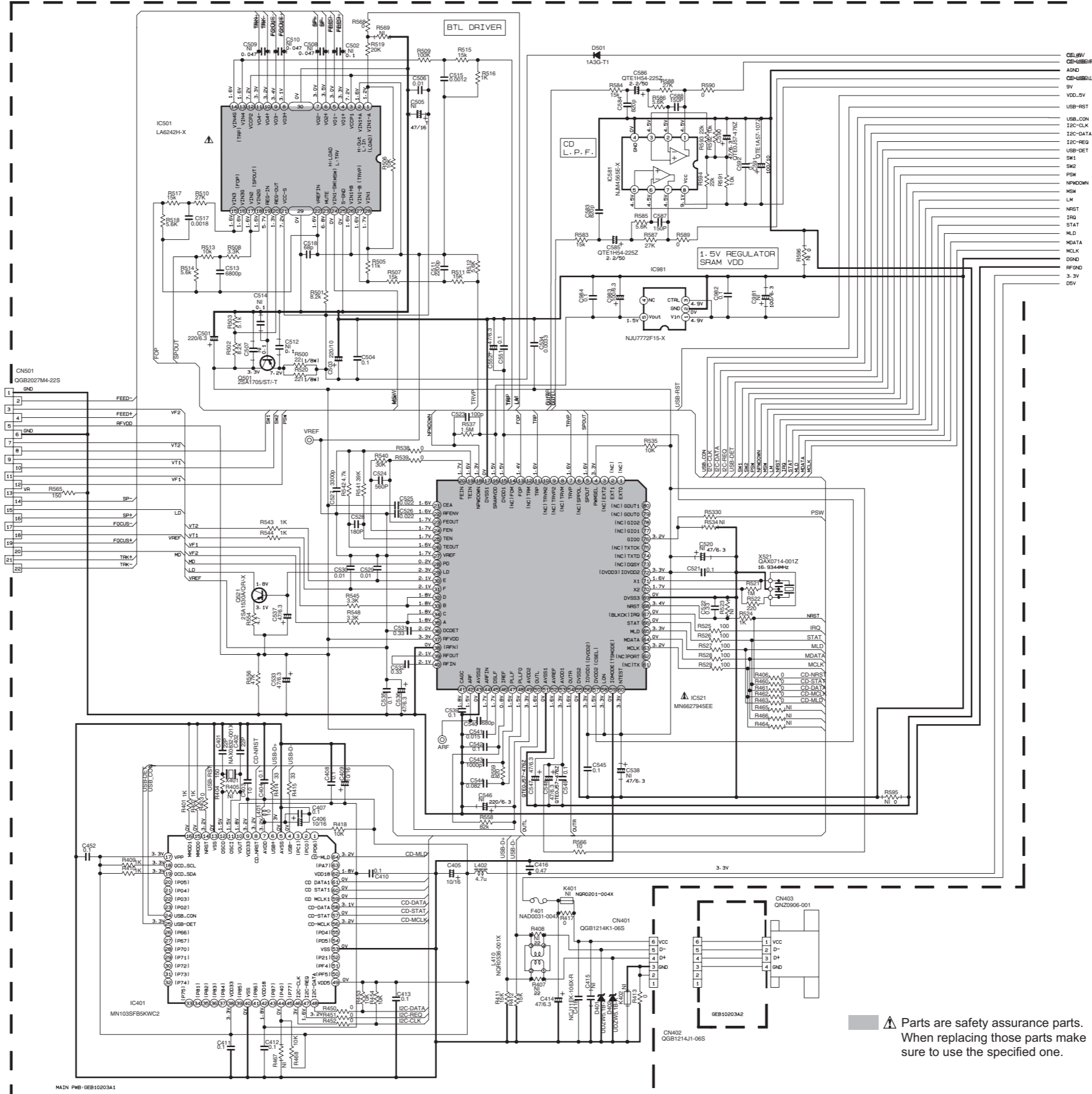
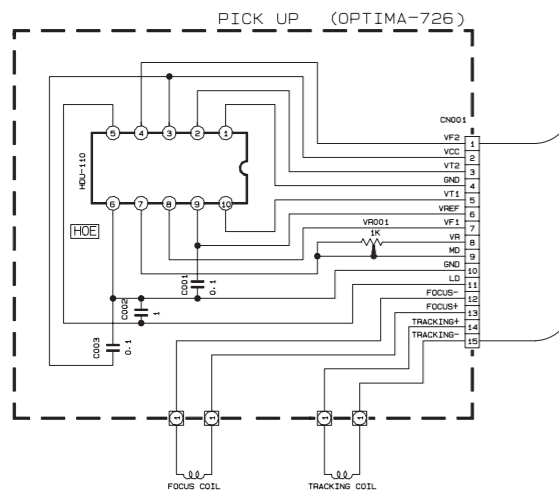
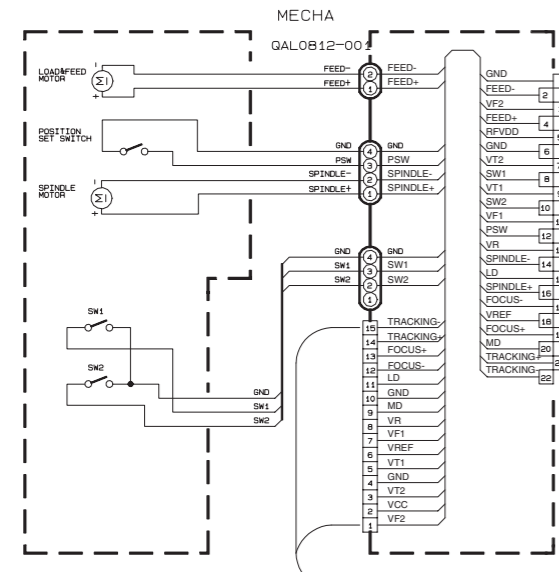
⚠ Parts are safety assurance parts. When replacing those parts make sure to use the specified one.

MAIN PWB GEB10203A1

■ CD section (for Asia version)

MAIN PWB: GEB10203A1

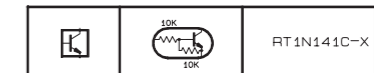
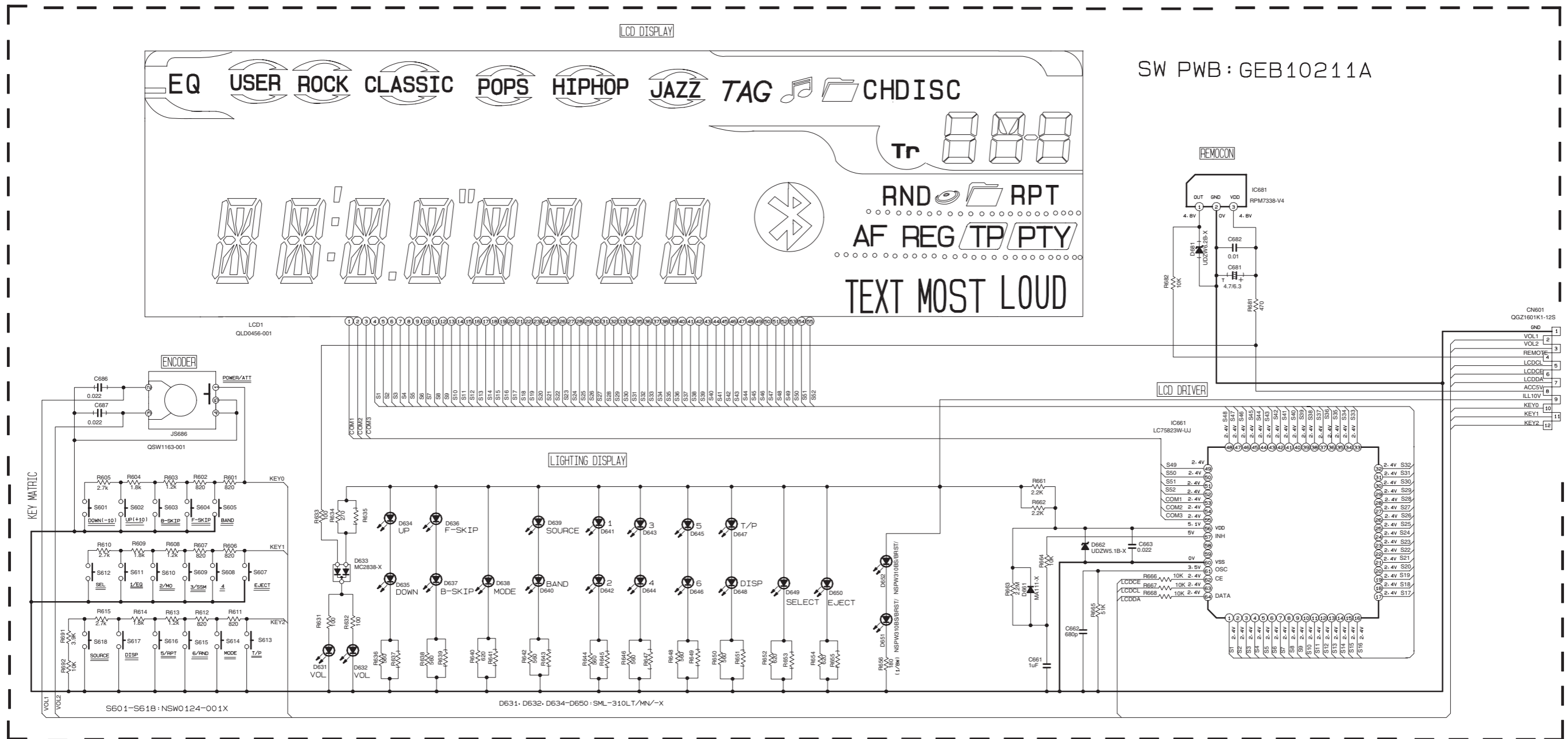
- NOTES:
- VOLTAGE ARE DC-MEASURED WITH A DIGITAL VOLTMETER WITHOUT INPUT SIGNAL CONDITION — CD MODE.
 - UNLESS OTHERWISE SPECIFIED.
 - ALL RESISTOR ARE 1/16W 5%METAL GLAZE RESISTOR.
 - ALL CAPACITOR ARE 50V OR 25V CERAMIC CAPACITOR.
 - ALL RESISTANCE VALUES ARE IN OHM
 - ALL CAPACITANCE VALUES ARE IN uF (p=PF).
 - ALL INDUCTANCE VALUES ARE IN uH
 - ALL E. CAPACITORS ARE SHOWN IN THE FORM OF CAPACITANCE(uF/RATED VOLTAGE(V))



- CE18V
- CE-USB#R
- AGND
- CE-USB#L
- 9V
- VDD-5V
- USB-RST
- USB-CON
- I2C-CLK
- I2C-DATA
- I2C-REQ
- USB-DET
- SW1
- SW2
- PSW
- NPDOWN
- MSW
- LM
- NRST
- IRD
- STAT
- MLD
- MDATA
- MCLK
- DGND
- RFND
- 3.3V
- D5V

▲ Parts are safety assurance parts. When replacing those parts make sure to use the specified one.

■ LCD and Key control section (for Asia version)



NOTES

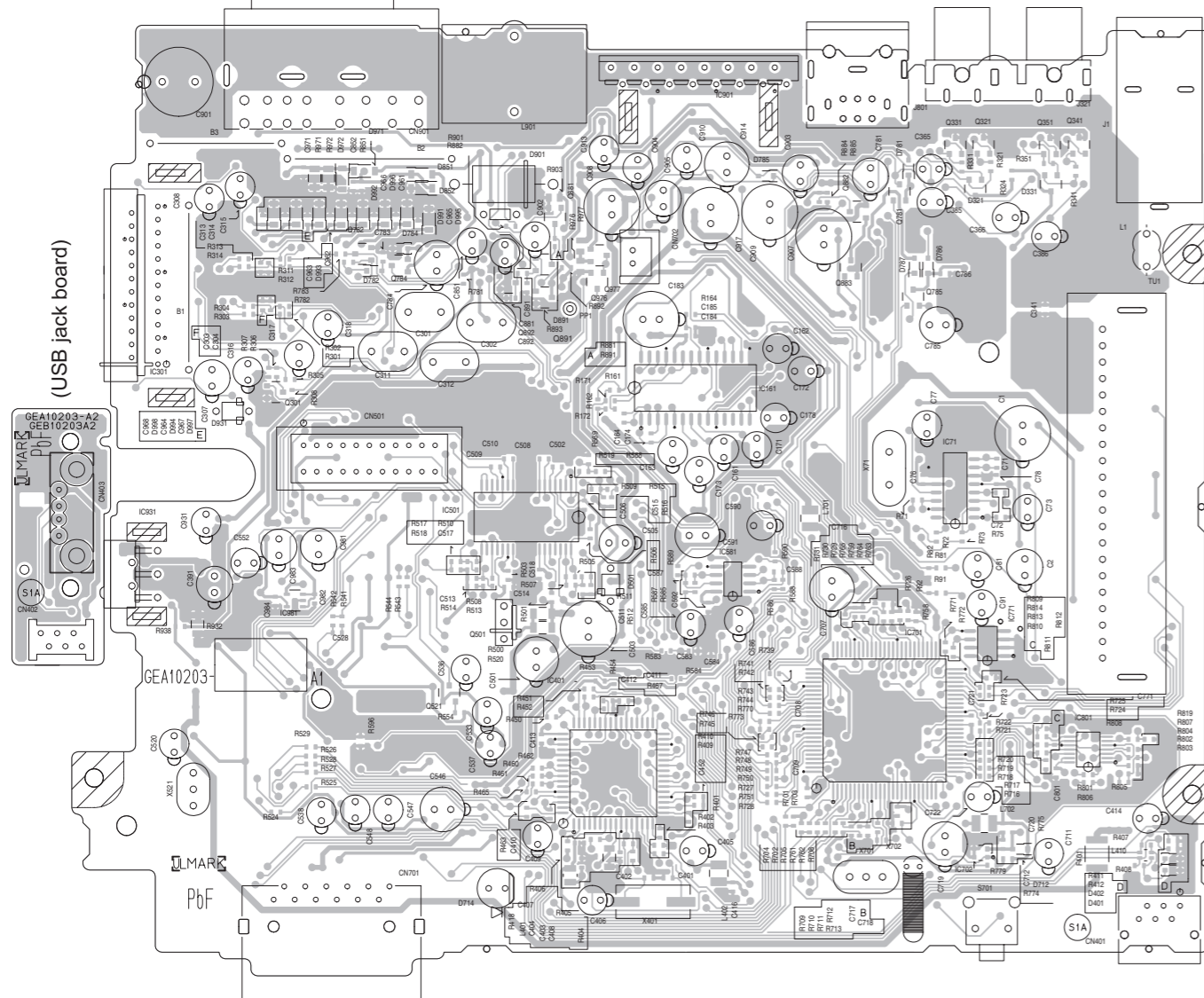
1. VOLTAGES ARE DC-MEASURED WITH A DIGITAL VOLT METER WITHOUT INPUT SIGNAL.
2. UNLESS OTHERWISE SPECIFIED, ALL RESISTORS ARE 1/16W ±5% METAL GLAZE RESISTOR. ALL CAPACITORS ARE 50V OR 25V CERAMIC CAPACITOR. ALL RESISTANCE VALUES ARE IN Ω. ALL CAPACITANCE VALUES ARE IN μF (P=pF). ALL E. CAPACITORS ARE SHOWN IN THE FORM OF CAPACITANCE(μF)/RATED VOLTAGE(V). T --- TANTAL CAPACITOR.
3. COMPONENTS IN () INDICATE NOT USE.

Printed circuit boards

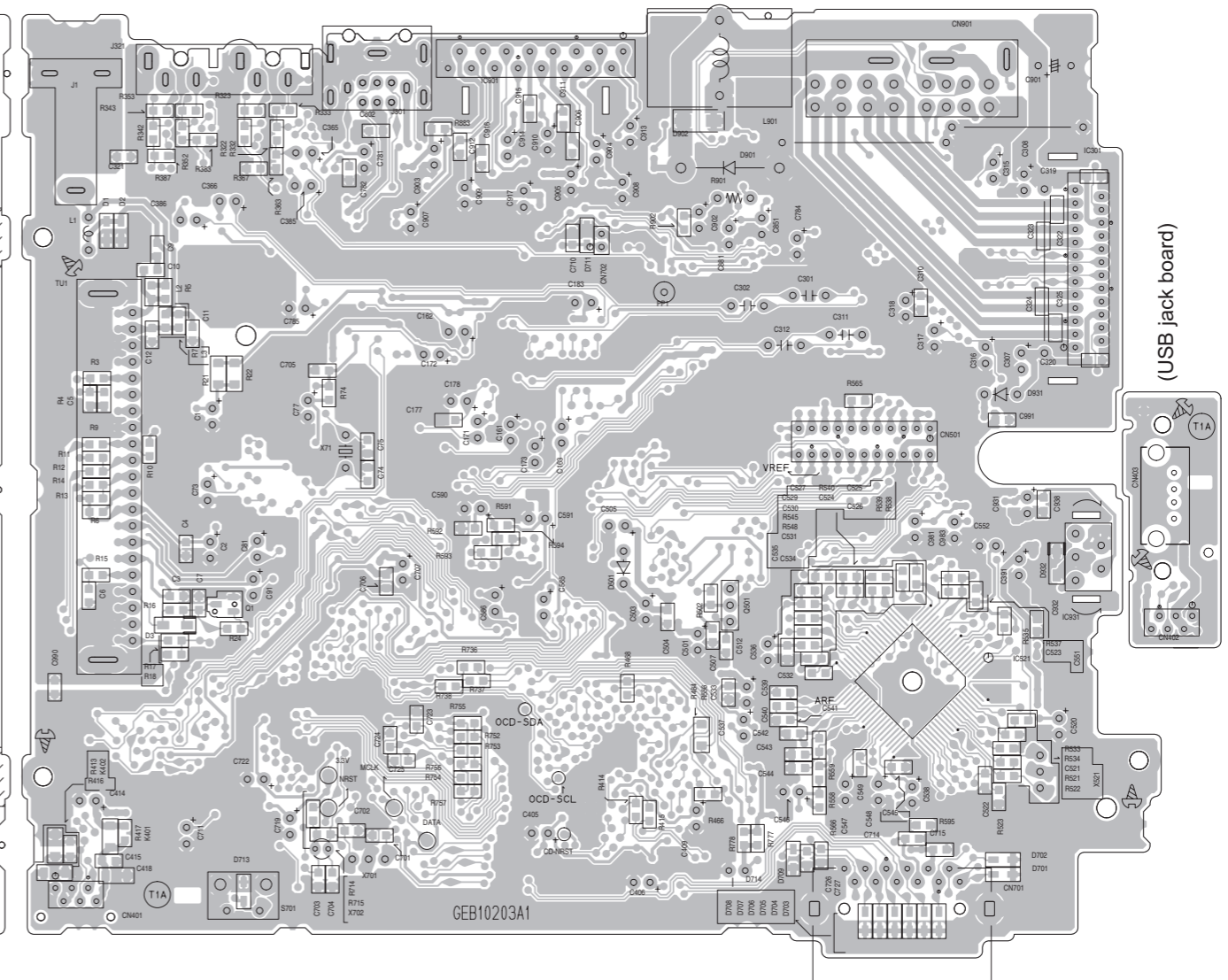
■ **Main board** Lead free solder used in the board (material : Sn-Ag-Cu, melting point : 219 Centigrade)

Lead free solder used in the board (material : Sn-Cu, melting point : 230 Centigrade)

forward side (Main board)



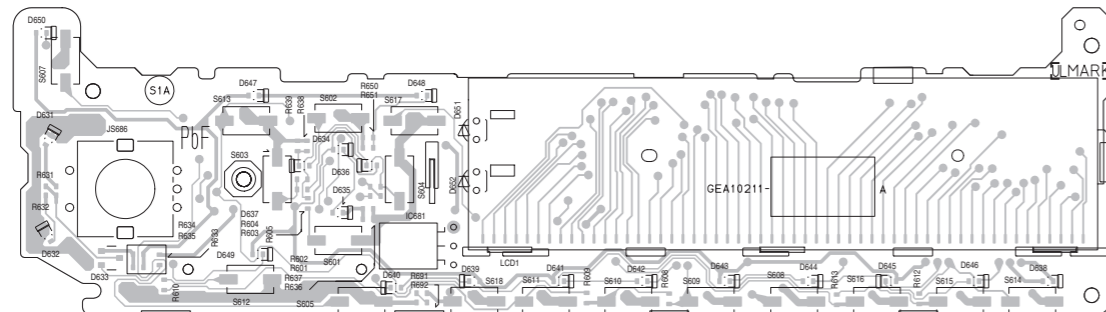
reverse side



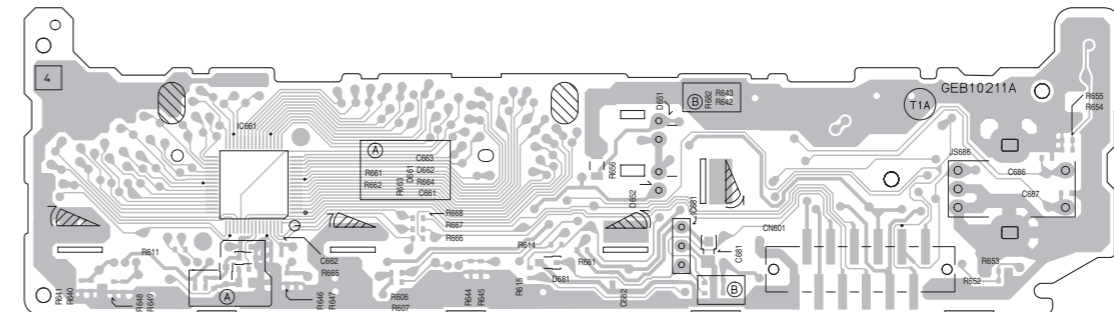
■ **Switch board** Lead free solder used in the board (material : Sn-Ag-Cu, melting point : 219 Centigrade)

Lead free solder used in the board (material : Sn-Cu, melting point : 230 Centigrade)

forward side



reverse side



PARTS LIST

KD-G631E,KD-G631EX,KD-G631EU,KD-G631EY,
KD-G632E,KD-G632EX,KD-G632EU,KD-G632EY,
KD-G635U,KD-G635UN,KD-G635UH,KD-G635UT,
KD-G634UI,KD-G638UF

* All printed circuit boards and its assemblies are not available as service parts.

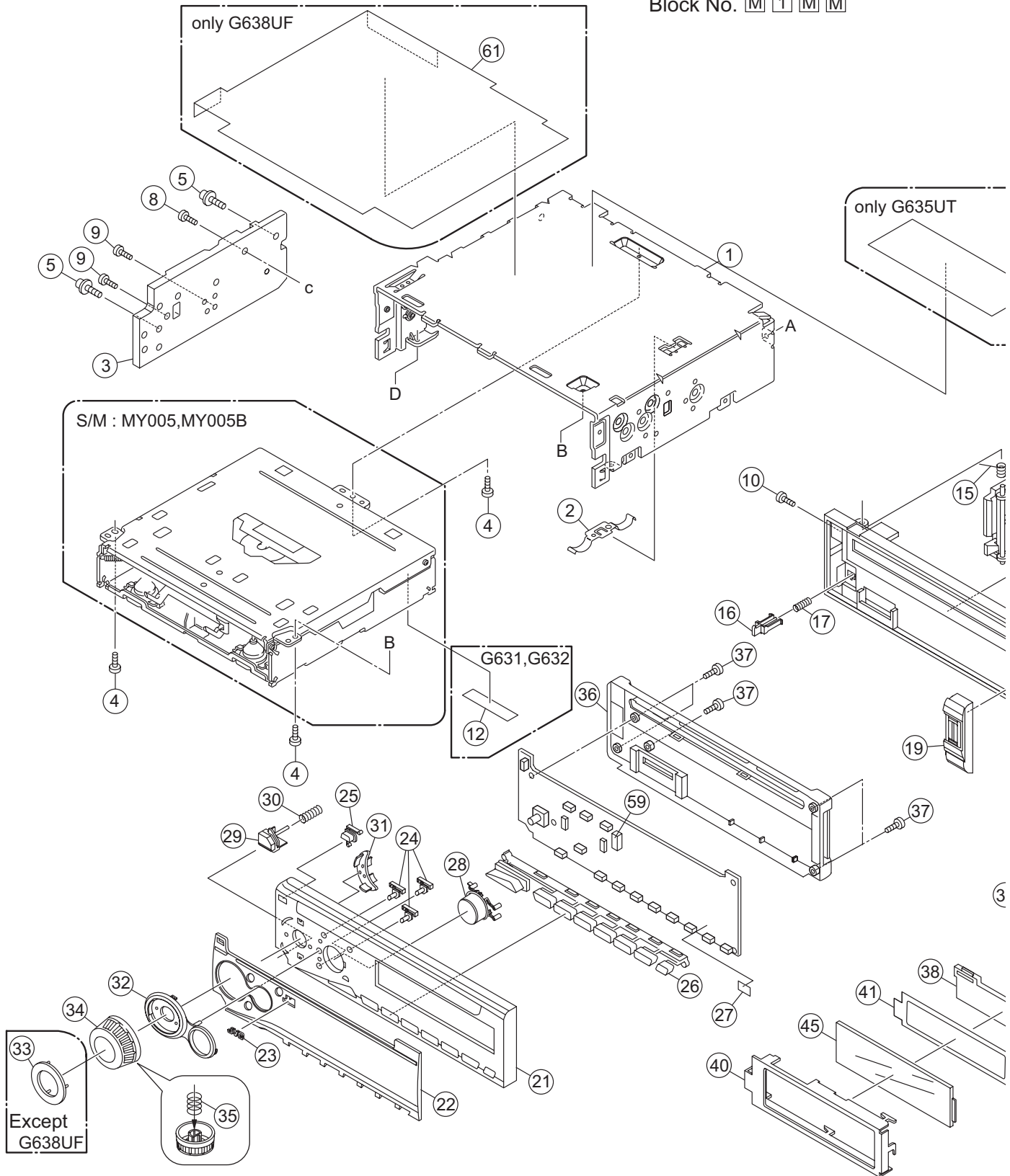
* Please refer to the mechanism manual (model TN2007-1010, No.MY005,MY005B) for the CD mechanism.

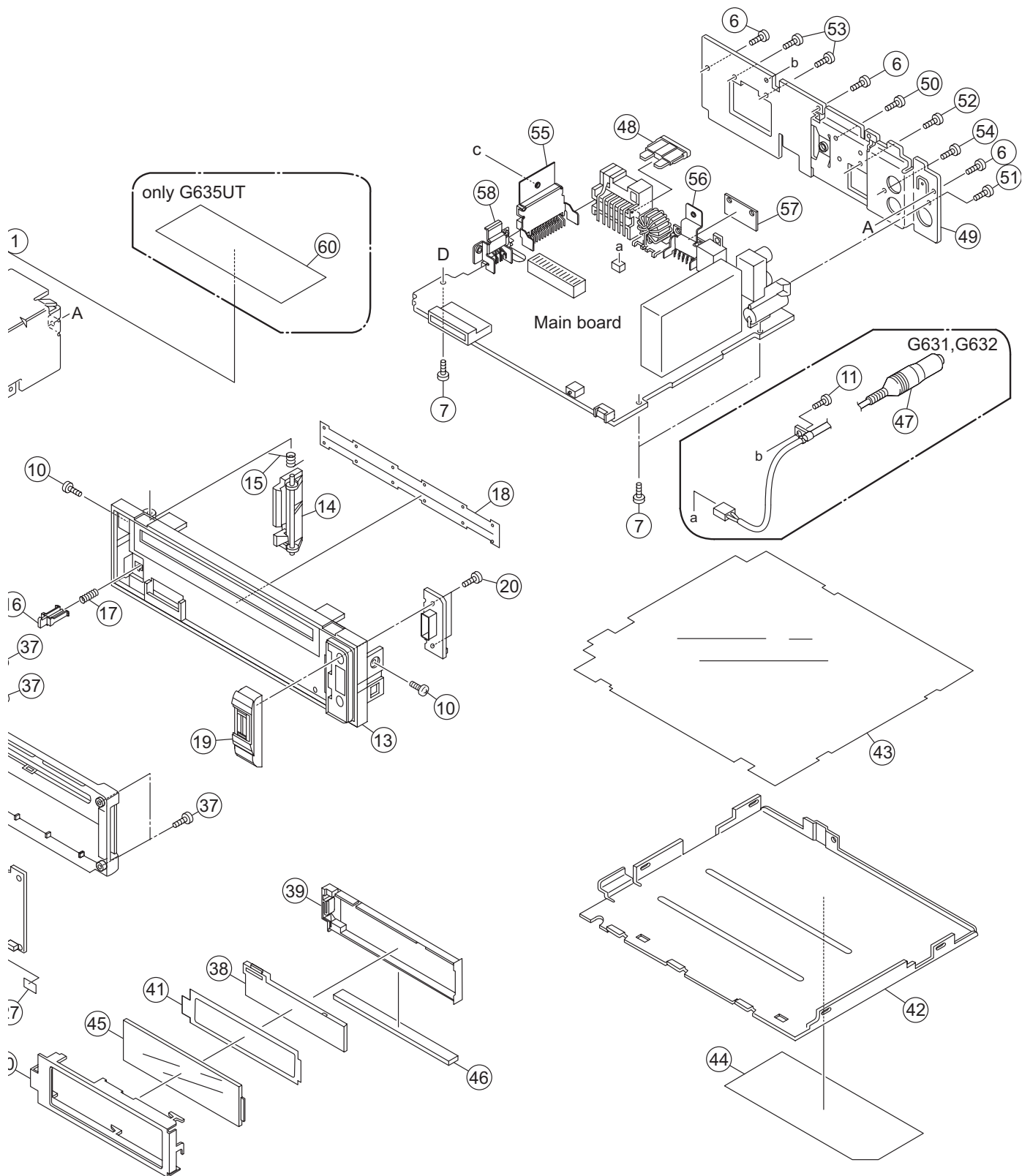
- Contents -

Exploded view of general assembly and parts list (Block No.M1)	3- 2
Electrical parts list (Block No.01~04)	3- 6
Packing materials and accessories parts list (Block No.M3)	3-16

Exploded view of general assembly and parts list

Block No. M 1 M M





General Assembly

Block No. [M][1][M][M]

△ Symbol No.	Part No.	Part Name	Description	Local
1	GE10190-001A	TOP CHASSIS		
2	GE40135-001A	EARTH PLATE		
3	GE32360-001A	HEAT SINK		
4	QYSDST2604ZA	TAP SCREW	M2.6 x 4mm(x3)	
5	GE40377-001A	SCREW	(x2)	
6	QYSDST2604ZA	TAP SCREW	M2.6 x 4mm(x3)	
7	GE40377-002A	SCREW	(x3)	
8	QYSDST2610ZA	TAP SCREW	M2.6 x 10mm	
9	QYSDST2610ZA	TAP SCREW	M2.6 x 10mm(x2)	
10	QYSDST2003ZA	TAP SCREW	M2 x 3mm(x2)	
11	QYSDST2604ZA	TAP SCREW	M2.6 x 4mm	G631E,G631EX,G631EU,G631EY,G632E,G632EX, G632EU,G632EY
12	FSYH4036-100	SHEET		G631E,G631EX,G631EU,G631EY,G632E,G632EX, G632EU,G632EY
13	GE10189-002A	FRONT CHASSIS		
14	GE32350-001A	LOCK LEVER		
15	GE40368-002A	TORSION SPRING		
16	GE32351-001A	RELEASE LEVER		
17	GE40202-020A	COMP.SPRING		
18	GE40294-002A	BLIND		
19	GE32518-001A	USB COVER ASSY		G631E,G631EX,G631EU,G631EY,G635U,G635UN, G635UH,G635UT,G634UI
19	GE32518-002A	USB COVER ASSY		G632E,G632EX,G632EU,G632EY
19	GE32518-003A	USB COVER ASSY		G638UF
20	VKZ4777-010	MINI SCREW	(x2)	
21	GE10187-001A	FRONT PANEL		G631E,G631EX,G631EU,G631EY,G635U,G635UN, G635UH,G635UT,G634UI
21	GE10187-002A	FRONT PANEL		G632E,G632EX,G632EU,G632EY
21	GE10187-003A	FRONT PANEL		G638UF
22	GE32343-006A	FINDER ASSY		G631E,G631EX,G631EU,G631EY
22	GE32343-007A	FINDER ASSY		G632E,G632EX,G632EU,G632EY
22	GE32343-004A	FINDER ASSY		G635U,G635UN,G635UH,G635UT
22	GE32343-003A	FINDER ASSY		G634UI
22	GE32343-005A	FINDER ASSY		G638UF
23	GE40347-001A	JVC BADGE		
24	GE32342-001A	PUSH BTN	(x3)	
25	GE32346-001A	EJECT BTN		
26	GE20211-004A	PRESET BTN		G631E,G631EX,G631EU,G631EY,G635U,G635UN, G635UH,G635UT,G634UI
26	GE20211-001A	PRESET BTN		G632E,G632EX,G632EU,G632EY,G638UF
27	FSYH4036-069	SHEET		
28	GE32340-001A	NAVI BTN		
29	GE40373-001A	DETACH BTN ASSY		G631E,G631EX,G631EU,G631EY,G635U,G635UN, G635UH,G635UT,G634UI
29	GE40373-002A	DETACH BTN ASSY		G632E,G632EX,G632EU,G632EY
29	GE40373-003A	DETACH BTN ASSY		G638UF
30	GE40202-021A	COMPRESSION SPRING		
31	GE32338-001A	RIM LENS		
32	GE32339-004A	RIM COVER		G631E,G631EX,G631EU,G631EY,G635U,G635UN, G635UH,G635UT,G634UI
32	GE32339-006A	RIM COVER		G632E,G632EX,G632EU,G632EY,G638UF
33	GE40370-001A	VOL TOP ASSY		G631E,G631EX,G631EU,G631EY,G632E,G632EX, G632EU,G632EY,G635U,G635UN,G635UH,G635U T,G634UI
34	GE32337-002A	VOL KNOB		G631E,G631EX,G631EU,G631EY,G635U,G635UN, G635UH,G635UT,G634UI
34	GE32337-001A	VOL KNOB		G632E,G632EX,G632EU,G632EY
34	GE32330-001A	VOL KNOB		G638UF
35	GE40127-001A	KNOB SPRING		
36	GE10188-001A	REAR COVER		
37	VKZ4777-010	MINI SCREW	(x5)	
38	GE32352-001A	LCD LENS		
39	GE32353-001A	LENS CASE		
40	GE32354-001A	LCD CASE		
41	GE40356-001A	LIGHTING SHEET		
42	GE32359-001A	BOTTOM COVER		
43	GE32355-001A	INSULATOR		
44	GE32534-001A	NAME PLATE		G631E,G631EX,G631EU,G631EY
44	GE32537-001A	NAME PLATE		G632E,G632EX,G632EU,G632EY
44	GE32468-001A	NAME PLATE		G635U,G635UN,G635UH,G635UT
44	GE32528-001A	NAME PLATE		G634UI
44	GE32531-001A	NAME PLATE		G638UF
45	QLD0456-001	LCD MODULE		
46	QNZ0913-001	RUBBER CONNECTO		

△	Symbol No.	Part No.	Part Name	Description	Local
	47	QAM0992-001	STEERING REMOTE		G631E,G631EX,G631EU,G631EY,G632E,G632EX, G632EU,G632EY
△	48	QMFZ047-150-T	FUSE	15A	
	49	GE32513-001A	REAR BRACKET		G631E,G631EX,G631EU,G631EY,G632E,G632EX, G632EU,G632EY
	49	GE32513-002A	REAR BRACKET		G635U,G635UN,G635UH,G635UT,G634UI,G638UF
	50	QYSDST2606ZA	TAP SCREW	M2.6 x 6mm	
	51	QYSDST2606ZA	TAP SCREW	M2.6 x 6mm	
	52	QYSDST2606ZA	TAP SCREW	M2.6 x 6mm	
	53	QYSDSF2606ZA	TAP SCREW	M2.6 x 6mm(x2)	
	54	QYSDSF2606ZA	TAP SCREW	M2.6 x 6mm	
	55	GE40307-002A	POWER IC BRACKE		
	56	GE40103-003A	REG BRACKET		
	57	GE40107-002A	HEAT SINK		
	58	GE40309-001A	REG BRACKET		
	59	GE30854-001A	LED HOLDER		
	60	GE31574-048A	UT LABEL		G635UT
	61	GE32288-003A	TOP SHEET		G638UF

Electrical parts list

Main board(G631,G632)

Block No. [0][1]

△ Symbol No.	Part No.	Part Name	Description	Local
△ IC71	LC72725KM-X	IC		
IC161	TDA7419N-X	IC		
△ IC301	TB2904HQ	IC		
IC401	MN103SFB5KWC2	IC		
△ IC501	LA6242H-X	IC		
IC521	MN6627945EE	IC		
IC581	NJM4565E-X	IC		
△ IC701	MN101E16KWB	IC		
IC702	S-80824CNNB-G-W	IC		
IC702	or IC-PST3424U-X	IC		
IC771	S-24CS16A01-G-X	IC		
IC801	74AHCT126PW-X	IC		
△ IC901	AN34001A	REGULATOR IC		
IC931	BA05CCOWT-V5	REGULATOR IC		
IC981	NJU7772F15-X	IC		
Q1	RT1N141C-X	DIGI TRANSISTOR		
Q1	or UN2211-X	TRANSISTOR		
Q301	RT1N141C-X	DIGI TRANSISTOR		
Q301	or UN2211-X	TRANSISTOR		
Q341	RT6N430C-X	TRANSISTOR		
Q351	RT6N430C-X	TRANSISTOR		
Q501	2SA1705/ST/-T	TRANSISTOR		
Q521	2SA1530A/QR/-X	TRANSISTOR		
Q521	or 2SB709A/QR/-X	TRANSISTOR		
Q781	RT1P141C-X	DIGI TRANSISTOR		
Q781	or UN2111-X	TRANSISTOR		
Q782	RT6N430C-X	TRANSISTOR		
Q784	RT1P141C-X	DIGI TRANSISTOR		
Q784	or UN2111-X	TRANSISTOR		
Q881	RT1N141C-X	DIGI TRANSISTOR		
Q881	or UN2211-X	TRANSISTOR		
Q882	RT1P141C-X	DIGI TRANSISTOR		
Q882	or UN2111-X	TRANSISTOR		
Q883	RT1N141C-X	DIGI TRANSISTOR		
Q883	or UN2211-X	TRANSISTOR		
Q891	RT1N141C-X	DIGI TRANSISTOR		
Q891	or UN2211-X	TRANSISTOR		
Q976	RT1N141C-X	DIGI TRANSISTOR		
Q976	or UN2211-X	TRANSISTOR		
Q977	2SA1530A/QR/-X	TRANSISTOR		
Q977	or 2SB709A/QR/-X	TRANSISTOR		
D1	1SS355W-X	DIODE		
D1	or MA111-X	SI DIODE		
D2	1SS355W-X	DIODE		
D2	or MA111-X	SI DIODE		
D331	MC2836-X	DIODE		
D331	or MA152WA-X	DIODE		
D401	UDZW5.1B-X	SB DIODE		
D401	or MA8051/M/-X	Z DIODE		
D402	UDZW5.1B-X	SB DIODE		
D402	or MA8051/M/-X	Z DIODE		
D501	1A3G-T1	SI DIODE		
D701	UDZW6.2B-X	Z DIODE		
D701	or MA8062/M/-X	Z DIODE		
D702	UDZW6.2B-X	Z DIODE		
D702	or MA8062/M/-X	Z DIODE		
D703	UDZW6.2B-X	Z DIODE		
D703	or MA8062/M/-X	Z DIODE		
D704	UDZW6.2B-X	Z DIODE		
D704	or MA8062/M/-X	Z DIODE		
D705	UDZW6.2B-X	Z DIODE		
D705	or MA8062/M/-X	Z DIODE		
D706	UDZW6.2B-X	Z DIODE		
D706	or MA8062/M/-X	Z DIODE		
D707	UDZW6.2B-X	Z DIODE		
D707	or MA8062/M/-X	Z DIODE		
D708	UDZW6.2B-X	Z DIODE		
D708	or MA8062/M/-X	Z DIODE		
D709	UDZW6.2B-X	Z DIODE		
D709	or MA8062/M/-X	Z DIODE		

△ Symbol No.	Part No.	Part Name	Description	Local
D711	UDZW6.2B-X	Z DIODE		
D711	or MA8062/M/-X	Z DIODE		
D712	1SS355W-X	DIODE		
D712	or MA111-X	SI DIODE		
D713	UDZW5.6B-X	Z DIODE		
D713	or MA8056/M/-X	Z DIODE		
D781	1SS355W-X	DIODE		
D781	or MA111-X	SI DIODE		
D782	1SS355W-X	DIODE		
D782	or MA111-X	SI DIODE		
D784	UDZW11B-X	Z DIODE		
D784	or MA8110/M/-X	Z DIODE		
D785	1SS355W-X	DIODE		
D785	or MA111-X	SI DIODE		
D891	MC2836-X	DIODE		
D891	or MA152WA-X	DIODE		
D901	1N5401-F64	SI DIODE		
D901	or 1N5401-TU-15	SI DIODE		
D902	GS1J-X	DIODE		
D931	1A3G-T1	SI DIODE		
D932	CRS03-W	SB DIODE		
D932	or RB160M-30-X	SB DIODE		
D932	or MA22D23-X	SB DIODE		
D971	CRS03-W	SB DIODE		
D971	or RB160M-30-X	SB DIODE		
D971	or MA22D23-X	SB DIODE		
D972	CRS03-W	SB DIODE		
D972	or RB160M-30-X	SB DIODE		
D972	or MA22D23-X	SB DIODE		
D996	CRS03-W	SB DIODE		
D996	or RB160M-30-X	SB DIODE		
D996	or MA22D23-X	SB DIODE		
D997	CRS03-W	SB DIODE		
D997	or RB160M-30-X	SB DIODE		
D997	or MA22D23-X	SB DIODE		
C1	QEKJ1AM-227Z	E CAPACITOR	220uF 10V M	
C2	QEKJ1CM-476Z	E CAPACITOR	47uF 16V M	
C3	NCB31CK-104X	C CAPACITOR	0.1uF 16V K	
C4	NCB31CK-104X	C CAPACITOR	0.1uF 16V K	
C5	NCB31CK-104X	C CAPACITOR	0.1uF 16V K	
C6	NCB31CK-104X	C CAPACITOR	0.1uF 16V K	
C7	NCB31CK-224X	C CAPACITOR	0.22uF 16V K	
C9	NDC31HJ-5R0X	C CAPACITOR	5pF 50V J	
C71	NDC31HJ-561X	C CAPACITOR	560pF 50V J	
C72	NDC31HJ-331X	C CAPACITOR	330pF 50V J	
C73	QEKJ1CM-106Z	E CAPACITOR	10uF 16V M	
C74	NDC31HJ-330X	C CAPACITOR	33pF 50V J	
C75	NDC31HJ-330X	C CAPACITOR	33pF 50V J	
C76	NCB31HK-103X	C CAPACITOR	0.01uF 50V K	
C77	QEKJ0JM-476Z	E CAPACITOR	47uF 6.3V M	
C78	NCB31HK-103X	C CAPACITOR	0.01uF 50V K	
C81	QTE1H57-105Z	E CAPACITOR	1uF 50V	
C91	QTE1H57-105Z	E CAPACITOR	1uF 50V	
C161	QTE1H57-105Z	E CAPACITOR	1uF 50V	
C162	QTE1H57-105Z	E CAPACITOR	1uF 50V	
C163	QTE1H55-225Z	E CAPACITOR	2.2uF 50V	
C164	NCB31AK-474X	C CAPACITOR	0.47uF 10V K	
C171	QTE1H57-105Z	E CAPACITOR	1uF 50V	
C172	QTE1H57-105Z	E CAPACITOR	1uF 50V	
C173	QTE1H55-225Z	E CAPACITOR	2.2uF 50V	
C174	NCB31AK-474X	C CAPACITOR	0.47uF 10V K	
C177	NCB31AK-224X	C CAPACITOR	0.22uF 10V K	
C178	QEKJ1CM-106Z	E CAPACITOR	10uF 16V M	
C183	QEKJ1AM-227Z	E CAPACITOR	220uF 10V M	
C184	NCB31CK-104X	C CAPACITOR	0.1uF 16V K	
C301	QFV91HJ-474Z	MF CAPACITOR	0.47uF 50V J	
C302	QFV91HJ-474Z	MF CAPACITOR	0.47uF 50V J	
C303	NDC31HJ-101X	C CAPACITOR	100pF 50V J	
C304	NDC31HJ-101X	C CAPACITOR	100pF 50V J	
C307	QEKJ1CM-476Z	E CAPACITOR	47uF 16V M	
C311	QFV91HJ-474Z	MF CAPACITOR	0.47uF 50V J	
C312	QFV91HJ-474Z	MF CAPACITOR	0.47uF 50V J	
C313	NDC31HJ-101X	C CAPACITOR	100pF 50V J	
C314	NDC31HJ-101X	C CAPACITOR	100pF 50V J	
C315	QEKJ1HM-225Z	E CAPACITOR	2.2uF 50V M	

△ Symbol No.	Part No.	Part Name	Description	Local	△ Symbol No.	Part No.	Part Name	Description	Local
C316	QEKJ1EM-475Z	E CAPACITOR	4.7uF 25V M		C705	NCB31EK-103X	C CAPACITOR	0.01uF 25V K	
C317	QEKJ1HM-225Z	E CAPACITOR	2.2uF 50V M		C706	NCB31EK-103X	C CAPACITOR	0.01uF 25V K	
C318	QEKJ1HM-225Z	E CAPACITOR	2.2uF 50V M		C707	QEKJ1AM-107Z	E CAPACITOR	100uF 10V M	
C319	NCB31EK-223X	C CAPACITOR	0.022uF 25V K		C708	NCB31CK-104X	C CAPACITOR	0.1uF 16V K	
C320	NCB31EK-223X	C CAPACITOR	0.022uF 25V K		C709	NCB31CK-104X	C CAPACITOR	0.1uF 16V K	
C322	NCB31HK-472X	C CAPACITOR	4700pF 50V K		C710	NDC31HJ-101X	C CAPACITOR	100pF 50V J	
C323	NCB31HK-472X	C CAPACITOR	4700pF 50V K		C711	QTE0J57-476Z	E CAPACITOR	47uF 6.3V	
C324	NCB31HK-472X	C CAPACITOR	4700pF 50V K		C712	NCB31HK-103X	C CAPACITOR	0.01uF 50V K	
C325	NCB31HK-472X	C CAPACITOR	4700pF 50V K		C714	NCB31CK-104X	C CAPACITOR	0.1uF 16V K	
C385	QEKJ1EM-475Z	E CAPACITOR	4.7uF 25V M		C715	NCB31CK-104X	C CAPACITOR	0.1uF 16V K	
C386	QEKJ1EM-475Z	E CAPACITOR	4.7uF 25V M		C717	NCB31CK-104X	C CAPACITOR	0.1uF 16V K	
C391	QEKJ1CM-476Z	E CAPACITOR	47uF 16V M		C718	NCB31CK-104X	C CAPACITOR	0.1uF 16V K	
C401	NDC31HJ-220X	C CAPACITOR	22pF 50V J		C719	QEKJ1AM-107Z	E CAPACITOR	100uF 10V M	
C402	NDC31HJ-220X	C CAPACITOR	22pF 50V J		C720	NCB31AK-474X	C CAPACITOR	0.47uF 10V K	
C403	NCJ11EK-106X-R	C CAPACITOR	10uF 25V		C721	NCB31CK-104X	C CAPACITOR	0.1uF 16V K	
C404	NCB31CK-104X	C CAPACITOR	0.1uF 16V K		C722	QEKJ1EM-475Z	E CAPACITOR	4.7uF 25V M	
C405	QEKJ1CM-106Z	E CAPACITOR	10uF 16V M		C726	NDC31HJ-391X	C CAPACITOR	390pF 50V J	
C406	QEKJ1CM-106Z	E CAPACITOR	10uF 16V M		C727	NDC31HJ-391X	C CAPACITOR	390pF 50V J	
C407	NCB31EK-104X	C CAPACITOR	0.1uF 25V K		C771	NCB31EK-473X	C CAPACITOR	0.047uF 25V K	
C408	NCB31EK-104X	C CAPACITOR	0.1uF 25V K		C781	QEKJ0JM-107Z	E CAPACITOR	100uF 6.3V M	
C409	QEKJ1CM-106Z	E CAPACITOR	10uF 16V M		C784	QEKJ1CM-107Z	E CAPACITOR	100uF 16V M	
C410	NCB31CK-104X	C CAPACITOR	0.1uF 16V K		C801	NCB31CK-473X	C CAPACITOR	0.047uF 16V K	
C411	NCB31CK-104X	C CAPACITOR	0.1uF 16V K		C881	QEKJ1CM-226Z	E CAPACITOR	22uF 16V M	
C412	NCB31CK-104X	C CAPACITOR	0.1uF 16V K		C891	NCB31EK-104X	C CAPACITOR	0.1uF 25V K	
C413	NCB31CK-104X	C CAPACITOR	0.1uF 16V K		C901	QE20844-278	E CAPACITOR	2700uF	
C414	QTE0J57-476Z	E CAPACITOR	47uF 6.3V		C902	QEKJ1HM-225Z	E CAPACITOR	2.2uF 50V M	
C416	NCB31AK-474X	C CAPACITOR	0.47uF 10V K		C903	QEKJ1CM-476Z	E CAPACITOR	47uF 16V M	
C418	NCJ11EK-106X-R	C CAPACITOR	10uF 25V		C904	QEKJ1CM-106Z	E CAPACITOR	10uF 16V M	
C452	NCB31CK-104X	C CAPACITOR	0.1uF 16V K		C905	QEKJ1CM-476Z	E CAPACITOR	47uF 16V M	
C501	QEKJ0JM-227Z	E CAPACITOR	220uF 6.3V M		C906	NCB31HK-103X	C CAPACITOR	0.01uF 50V K	
C503	QEKJ1AM-227Z	E CAPACITOR	220uF 10V M		C907	QEKJ1AM-227Z	E CAPACITOR	220uF 10V M	
C504	NCB31EK-104X	C CAPACITOR	0.1uF 25V K		C908	QEKJ1AM-227Z	E CAPACITOR	220uF 10V M	
C506	NCB31HK-103X	C CAPACITOR	0.01uF 50V K		C909	QERF0JM-337Z	E CAPACITOR	330uF 6.3V M	
C511	NCB31HK-222X	C CAPACITOR	2200pF 50V K		C910	QEKJ1CM-106Z	E CAPACITOR	10uF 16V M	
C513	NCB31HK-682X	C CAPACITOR	6800pF 50V K		C911	NCB31CK-104X	C CAPACITOR	0.1uF 16V K	
C515	NCB31HK-122X	C CAPACITOR	1200pF 50V K		C912	NCB31HK-103X	C CAPACITOR	0.01uF 50V K	
C517	NCB31HK-182X	C CAPACITOR	1800pF 50V K		C913	QEKJ1CM-106Z	E CAPACITOR	10uF 16V M	
C518	NDC31HJ-680X	C CAPACITOR	68pF 50V J		C914	QEKJ1CM-107Z	E CAPACITOR	100uF 16V M	
C521	NCB31EK-104X	C CAPACITOR	0.1uF 25V K		C915	NCB31CK-104X	C CAPACITOR	0.1uF 16V K	
C522	NCB31AK-334X	C CAPACITOR	0.33uF 10V K		C916	NCB31HK-103X	C CAPACITOR	0.01uF 50V K	
C523	NDC31HJ-101X	C CAPACITOR	100pF 50V J		C917	QERF0JM-337Z	E CAPACITOR	330uF 6.3V M	
C524	NDC31HJ-561X	C CAPACITOR	560pF 50V J		C931	QEKJ1EM-475Z	E CAPACITOR	4.7uF 25V M	
C525	NCB31CK-223X	C CAPACITOR	0.022uF 16V K		C938	NCB31EK-104X	C CAPACITOR	0.1uF 25V K	
C526	NCB31CK-223X	C CAPACITOR	0.022uF 16V K		C971	NCB31EK-104X	C CAPACITOR	0.1uF 25V K	
C527	NCB31EK-332X	C CAPACITOR	3300pF 25V K		C982	NCB31EK-104X	C CAPACITOR	0.1uF 25V K	
C528	NDC31HJ-181X	C CAPACITOR	180pF 50V J		C983	QEKJ0JM-107Z	E CAPACITOR	100uF 6.3V M	
C529	NCB31HK-103X	C CAPACITOR	0.01uF 50V K		C984	NCB31EK-104X	C CAPACITOR	0.1uF 25V K	
C530	NCB31HK-103X	C CAPACITOR	0.01uF 50V K		R3	NRSA63J-102X	MG RESISTOR	1kΩ 1/16W J	
C531	NCB31AK-334X	C CAPACITOR	0.33uF 10V K		R9	NRSA63J-103X	MG RESISTOR	10kΩ 1/16W J	
C532	NCB31AK-334X	C CAPACITOR	0.33uF 10V K		R10	NRSA63J-473X	MG RESISTOR	47kΩ 1/16W J	
C533	QEKJ0JM-476Z	E CAPACITOR	47uF 6.3V M		R11	NRSA63J-472X	MG RESISTOR	4.7kΩ 1/16W J	
C534	NCB31EK-332X	C CAPACITOR	3300pF 25V K		R12	NRSA63J-331X	MG RESISTOR	330Ω 1/16W J	
C535	NCB31EK-104X	C CAPACITOR	0.1uF 25V K		R13	NRSA63J-472X	MG RESISTOR	4.7kΩ 1/16W J	
C536	QEKJ0JM-476Z	E CAPACITOR	47uF 6.3V M		R14	NRSA63J-331X	MG RESISTOR	330Ω 1/16W J	
C537	QEKJ0JM-476Z	E CAPACITOR	47uF 6.3V M		R15	NRSA63J-102X	MG RESISTOR	1kΩ 1/16W J	
C539	NCB31EK-104X	C CAPACITOR	0.1uF 25V K		R16	NRSA63J-332X	MG RESISTOR	3.3kΩ 1/16W J	
C540	NCS31HJ-681X	C CAPACITOR	680pF 50V J		R17	NRSA63J-0R0X	MG RESISTOR	0Ω 1/16W J	
C541	NCB31EK-153X	C CAPACITOR	0.015uF 25V K		R21	NRS181J-120X	MG RESISTOR	12Ω 1/8W J	
C542	NCB31EK-104X	C CAPACITOR	0.1uF 25V K		R22	NRS181J-120X	MG RESISTOR	12Ω 1/8W J	
C543	NCB31HK-102X	C CAPACITOR	1000pF 50V K		R71	NRSA63J-222X	MG RESISTOR	2.2kΩ 1/16W J	
C544	NCB31EK-823X	C CAPACITOR	0.082uF 50V K		R72	NRSA63J-222X	MG RESISTOR	2.2kΩ 1/16W J	
C545	NCB31EK-104X	C CAPACITOR	0.1uF 25V K		R73	NRSA63J-222X	MG RESISTOR	2.2kΩ 1/16W J	
C547	QTE0J57-476Z	E CAPACITOR	47uF 6.3V		R74	NRSA02J-101X	MG RESISTOR	100Ω 1/10W J	
C548	QTE0J57-476Z	E CAPACITOR	47uF 6.3V		R81	NRSA63J-153X	MG RESISTOR	15kΩ 1/16W J	
C549	NCB31EK-104X	C CAPACITOR	0.1uF 25V K		R82	NRSA63J-682X	MG RESISTOR	6.8kΩ 1/16W J	
C551	NCB31EK-104X	C CAPACITOR	0.1uF 25V K		R91	NRSA63J-153X	MG RESISTOR	15kΩ 1/16W J	
C552	QEKJ0JM-476Z	E CAPACITOR	47uF 6.3V M		R92	NRSA63J-682X	MG RESISTOR	6.8kΩ 1/16W J	
C583	NDC31HJ-821X	C CAPACITOR	820pF 50V J		R171	NRSA63J-101X	MG RESISTOR	100Ω 1/16W J	
C584	NDC31HJ-821X	C CAPACITOR	820pF 50V J		R172	NRSA63J-101X	MG RESISTOR	100Ω 1/16W J	
C585	QTE1H54-225Z	E CAPACITOR	2.2uF 50V		R301	NRSA63J-102X	MG RESISTOR	1kΩ 1/16W J	
C586	QTE1H54-225Z	E CAPACITOR	2.2uF 50V		R302	NRSA63J-102X	MG RESISTOR	1kΩ 1/16W J	
C587	NDC31HJ-151X	C CAPACITOR	150pF 50V J		R303	NRSA63J-122X	MG RESISTOR	1.2kΩ 1/16W J	
C588	NDC31HJ-151X	C CAPACITOR	150pF 50V J		R304	NRSA63J-122X	MG RESISTOR	1.2kΩ 1/16W J	
C590	QTE0J57-476Z	E CAPACITOR	47uF 6.3V		R305	NRSA63J-102X	MG RESISTOR	1kΩ 1/16W J	
C591	QTE1A57-107Z	E CAPACITOR	100uF 10V		R306	NRSA63J-102X	MG RESISTOR	1kΩ 1/16W J	
C592	NCB31EK-104X	C CAPACITOR	0.1uF 25V K		R307	NRSA63J-273X	MG RESISTOR	27kΩ 1/16W J	
C703	NDC31HJ-270X	C CAPACITOR	27pF 50V J		R308	NRSA63J-271X	MG RESISTOR	270Ω 1/16W J	
C704	NDC31HJ-270X	C CAPACITOR	27pF 50V J						

△ Symbol No.	Part No.	Part Name	Description	Local	△ Symbol No.	Part No.	Part Name	Description	Local
R311	NRSA63J-102X	MG RESISTOR	1kΩ 1/16W J		R556	NRSA63J-473X	MG RESISTOR	47kΩ 1/16W J	
R312	NRSA63J-102X	MG RESISTOR	1kΩ 1/16W J		R558	NRSA63J-823X	MG RESISTOR	82kΩ 1/16W J	
R313	NRSA63J-122X	MG RESISTOR	1.2kΩ 1/16W J		R559	NRSA63J-821X	MG RESISTOR	820Ω 1/16W J	
R314	NRSA63J-122X	MG RESISTOR	1.2kΩ 1/16W J		R565	NRSA63J-151X	MG RESISTOR	150Ω 1/16W J	
R324	NRSA63J-0R0X	MG RESISTOR	0Ω 1/16W J		R566	NRSA63J-100X	MG RESISTOR	10Ω 1/16W J	
R341	NRSA63J-0R0X	MG RESISTOR	0Ω 1/16W J		R568	NRSA63J-0R0X	MG RESISTOR	0Ω 1/16W J	
R342	NRSA63J-821X	MG RESISTOR	820Ω 1/16W J		R583	NRSA63J-153X	MG RESISTOR	15kΩ 1/16W J	
R343	NRSA02J-101X	MG RESISTOR	100Ω 1/10W J		R584	NRSA63J-153X	MG RESISTOR	15kΩ 1/16W J	
R351	NRSA63J-0R0X	MG RESISTOR	0Ω 1/16W J		R585	NRSA63J-562X	MG RESISTOR	5.6kΩ 1/16W J	
R352	NRSA63J-821X	MG RESISTOR	820Ω 1/16W J		R586	NRSA63J-562X	MG RESISTOR	5.6kΩ 1/16W J	
R353	NRSA02J-101X	MG RESISTOR	100Ω 1/10W J		R587	NRSA63J-273X	MG RESISTOR	27kΩ 1/16W J	
R383	NRSA63J-473X	MG RESISTOR	47kΩ 1/16W J		R588	NRSA63J-273X	MG RESISTOR	27kΩ 1/16W J	
R387	NRSA63J-473X	MG RESISTOR	47kΩ 1/16W J		R589	NRSA63J-0R0X	MG RESISTOR	0Ω 1/16W J	
R401	NRSA63J-102X	MG RESISTOR	1kΩ 1/16W J		R590	NRSA63J-0R0X	MG RESISTOR	0Ω 1/16W J	
R402	NRSA63J-102X	MG RESISTOR	1kΩ 1/16W J		R591	NRSA63J-103X	MG RESISTOR	10kΩ 1/16W J	
R403	NRSA63J-0R0X	MG RESISTOR	0Ω 1/16W J		R592	NRSA63J-103X	MG RESISTOR	10kΩ 1/16W J	
R404	NRSA63J-151X	MG RESISTOR	150Ω 1/16W J		R593	NRSA63J-223X	MG RESISTOR	22kΩ 1/16W J	
R406	NRSA63J-0R0X	MG RESISTOR	0Ω 1/16W J		R594	NRSA63J-223X	MG RESISTOR	22kΩ 1/16W J	
R409	NRSA63J-102X	MG RESISTOR	1kΩ 1/16W J		R701	NRSA63J-103X	MG RESISTOR	10kΩ 1/16W J	
R410	NRSA63J-102X	MG RESISTOR	1kΩ 1/16W J		R702	NRSA63J-103X	MG RESISTOR	10kΩ 1/16W J	
R411	NRSA63J-153X	MG RESISTOR	15kΩ 1/16W J		R703	NRSA63J-104X	MG RESISTOR	100kΩ 1/16W J	
R412	NRSA63J-153X	MG RESISTOR	15kΩ 1/16W J		R704	NRSA63J-104X	MG RESISTOR	100kΩ 1/16W J	
R413	NRS181J-0R0X	MG RESISTOR	0Ω 1/8W J		R705	NRSA63J-103X	MG RESISTOR	10kΩ 1/16W J	
R414	NRSA63J-330X	MG RESISTOR	33Ω 1/16W J		R709	NRSA63J-473X	MG RESISTOR	47kΩ 1/16W J	
R415	NRSA63J-330X	MG RESISTOR	33Ω 1/16W J		R712	NRSA63J-331X	MG RESISTOR	330Ω 1/16W J	
R417	NRS181J-0R0X	MG RESISTOR	0Ω 1/8W J		R714	NRSA63J-0R0X	MG RESISTOR	0Ω 1/16W J	
R418	NRSA63J-103X	MG RESISTOR	10kΩ 1/16W J		R716	NRSA63J-102X	MG RESISTOR	1kΩ 1/16W J	
R450	NRSA63J-0R0X	MG RESISTOR	0Ω 1/16W J		R717	NRSA63J-102X	MG RESISTOR	1kΩ 1/16W J	
R451	NRSA63J-0R0X	MG RESISTOR	0Ω 1/16W J		R718	NRSA63J-102X	MG RESISTOR	1kΩ 1/16W J	
R452	NRSA63J-0R0X	MG RESISTOR	0Ω 1/16W J		R719	NRSA63J-102X	MG RESISTOR	1kΩ 1/16W J	
R453	NRSA63J-103X	MG RESISTOR	10kΩ 1/16W J		R720	NRSA63J-102X	MG RESISTOR	1kΩ 1/16W J	
R454	NRSA63J-103X	MG RESISTOR	10kΩ 1/16W J		R721	NRSA63J-102X	MG RESISTOR	1kΩ 1/16W J	
R460	NRSA63J-0R0X	MG RESISTOR	0Ω 1/16W J		R722	NRSA63J-101X	MG RESISTOR	100Ω 1/16W J	
R461	NRSA63J-0R0X	MG RESISTOR	0Ω 1/16W J		R723	NRSA63J-103X	MG RESISTOR	10kΩ 1/16W J	
R462	NRSA63J-0R0X	MG RESISTOR	0Ω 1/16W J		R724	NRSA63J-103X	MG RESISTOR	10kΩ 1/16W J	
R463	NRSA63J-0R0X	MG RESISTOR	0Ω 1/16W J		R725	NRSA63J-101X	MG RESISTOR	100Ω 1/16W J	
R468	NRSA63J-103X	MG RESISTOR	10kΩ 1/16W J		R726	NRSA63J-273X	MG RESISTOR	27kΩ 1/16W J	
R500	NRS181J-220X	MG RESISTOR	22Ω 1/8W J		R727	NRSA63J-122X	MG RESISTOR	1.2kΩ 1/16W J	
R501	NRSA63J-822X	MG RESISTOR	8.2kΩ 1/16W J		R728	NRSA63J-0R0X	MG RESISTOR	0Ω 1/16W J	
R502	NRSA63J-822X	MG RESISTOR	8.2kΩ 1/16W J		R729	NRSA63J-104X	MG RESISTOR	100kΩ 1/16W J	
R503	NRSA63J-512X	MG RESISTOR	5.1kΩ 1/16W J		R730	NRSA63J-104X	MG RESISTOR	100kΩ 1/16W J	
R505	NRSA63J-113X	MG RESISTOR	11kΩ 1/16W J		R731	NRSA63J-104X	MG RESISTOR	100kΩ 1/16W J	
R506	NRSA63J-103X	MG RESISTOR	10kΩ 1/16W J		R736	NRSA63J-222X	MG RESISTOR	2.2kΩ 1/16W J	
R507	NRSA63J-153X	MG RESISTOR	15kΩ 1/16W J		R737	NRSA63J-222X	MG RESISTOR	2.2kΩ 1/16W J	
R508	NRSA63J-332X	MG RESISTOR	3.3kΩ 1/16W J		R738	NRSA63J-222X	MG RESISTOR	2.2kΩ 1/16W J	
R509	NRSA63J-104X	MG RESISTOR	100kΩ 1/16W J		R739	NRSA63J-101X	MG RESISTOR	100Ω 1/16W J	
R510	NRSA63J-273X	MG RESISTOR	27kΩ 1/16W J		R741	NRSA63J-101X	MG RESISTOR	100Ω 1/16W J	
R511	NRSA63J-153X	MG RESISTOR	15kΩ 1/16W J		R742	NRSA63J-101X	MG RESISTOR	100Ω 1/16W J	
R512	NRSA63J-562X	MG RESISTOR	5.6kΩ 1/16W J		R743	NRSA63J-101X	MG RESISTOR	100Ω 1/16W J	
R513	NRSA63J-103X	MG RESISTOR	10kΩ 1/16W J		R744	NRSA63J-101X	MG RESISTOR	100Ω 1/16W J	
R514	NRSA63J-562X	MG RESISTOR	5.6kΩ 1/16W J		R745	NRSA63J-271X	MG RESISTOR	270Ω 1/16W J	
R515	NRSA63J-153X	MG RESISTOR	15kΩ 1/16W J		R746	NRSA63J-104X	MG RESISTOR	100kΩ 1/16W J	
R516	NRSA63J-102X	MG RESISTOR	1kΩ 1/16W J		R747	NRSA63J-103X	MG RESISTOR	10kΩ 1/16W J	
R517	NRSA63J-153X	MG RESISTOR	15kΩ 1/16W J		R748	NRSA63J-102X	MG RESISTOR	1kΩ 1/16W J	
R518	NRSA63J-562X	MG RESISTOR	5.6kΩ 1/16W J		R749	NRSA63J-102X	MG RESISTOR	1kΩ 1/16W J	
R519	NRSA63J-203X	MG RESISTOR	20kΩ 1/16W J		R750	NRSA63J-101X	MG RESISTOR	100Ω 1/16W J	
R520	NRS181J-220X	MG RESISTOR	22Ω 1/8W J		R751	NRSA63J-101X	MG RESISTOR	100Ω 1/16W J	
R521	NRSA63J-105X	MG RESISTOR	1MΩ 1/16W J		R752	NRSA63J-472X	MG RESISTOR	4.7kΩ 1/16W J	
R522	NRSA63J-221X	MG RESISTOR	220Ω 1/16W J		R753	NRSA63J-472X	MG RESISTOR	4.7kΩ 1/16W J	
R524	NRSA63J-102X	MG RESISTOR	1kΩ 1/16W J		R754	NRSA63J-472X	MG RESISTOR	4.7kΩ 1/16W J	
R525	NRSA63J-101X	MG RESISTOR	100Ω 1/16W J		R755	NRSA63J-472X	MG RESISTOR	4.7kΩ 1/16W J	
R526	NRSA63J-101X	MG RESISTOR	100Ω 1/16W J		R756	NRSA63J-472X	MG RESISTOR	4.7kΩ 1/16W J	
R527	NRSA63J-101X	MG RESISTOR	100Ω 1/16W J		R757	NRSA63J-472X	MG RESISTOR	4.7kΩ 1/16W J	
R528	NRSA63J-101X	MG RESISTOR	100Ω 1/16W J		R758	NRSA63J-473X	MG RESISTOR	47kΩ 1/16W J	
R529	NRSA63J-101X	MG RESISTOR	100Ω 1/16W J		R761	NRSA63J-101X	MG RESISTOR	100Ω 1/16W J	
R533	NRSA63J-0R0X	MG RESISTOR	0Ω 1/16W J		R762	NRSA63J-101X	MG RESISTOR	100Ω 1/16W J	
R535	NRSA63J-103X	MG RESISTOR	10kΩ 1/16W J		R763	NRSA63J-823X	MG RESISTOR	82kΩ 1/16W J	
R537	NRSA63J-155X	MG RESISTOR	1.5MΩ 1/16W J		R764	NRSA63J-823X	MG RESISTOR	82kΩ 1/16W J	
R538	NRSA63J-0R0X	MG RESISTOR	0Ω 1/16W J		R765	NRSA63J-153X	MG RESISTOR	15kΩ 1/16W J	
R539	NRSA63J-0R0X	MG RESISTOR	0Ω 1/16W J		R770	NRSA63J-222X	MG RESISTOR	2.2kΩ 1/16W J	
R540	NRSA63J-303X	MG RESISTOR	30kΩ 1/16W J		R771	NRSA63J-271X	MG RESISTOR	270Ω 1/16W J	
R541	NRSA63J-393X	MG RESISTOR	39kΩ 1/16W J		R772	NRSA63J-271X	MG RESISTOR	270Ω 1/16W J	
R542	NRSA63J-472X	MG RESISTOR	4.7kΩ 1/16W J		R773	NRSA63J-223X	MG RESISTOR	22kΩ 1/16W J	
R543	NRSA63J-102X	MG RESISTOR	1kΩ 1/16W J		R774	NRSA63J-473X	MG RESISTOR	47kΩ 1/16W J	
R544	NRSA63J-102X	MG RESISTOR	1kΩ 1/16W J		R775	NRSA63J-222X	MG RESISTOR	2.2kΩ 1/16W J	
R545	NRSA63J-332X	MG RESISTOR	3.3kΩ 1/16W J		R779	NRSA63J-101X	MG RESISTOR	100Ω 1/16W J	
R548	NRSA63J-332X	MG RESISTOR	3.3kΩ 1/16W J		R781	NRSA63J-473X	MG RESISTOR	47kΩ 1/16W J	
R554	NRSA63J-4R7X	MG RESISTOR	4.7Ω 1/16W J		R782	NRSA63J-0R0X	MG RESISTOR	0Ω 1/16W J	

△ Symbol No.	Part No.	Part Name	Description	Local	△ Symbol No.	Part No.	Part Name	Description	Local
R783	NRSA63J-103X	MG RESISTOR	10kΩ 1/16W J		D634	LSQ971/KL/-X	LED		
R801	NRSA63J-102X	MG RESISTOR	1kΩ 1/16W J		D635	LSQ971/KL/-X	LED		
R802	NRSA63J-104X	MG RESISTOR	100kΩ 1/16W J		D636	LSQ971/KL/-X	LED		
R803	NRSA63J-333X	MG RESISTOR	33kΩ 1/16W J		D637	LSQ971/KL/-X	LED		
R804	NRSA63J-183X	MG RESISTOR	18kΩ 1/16W J		D638	LSQ971/KL/-X	LED		
R805	NRSA63J-0R0X	MG RESISTOR	0Ω 1/16W J		D639	LSQ971/KL/-X	LED		
R806	NRSA63J-102X	MG RESISTOR	1kΩ 1/16W J		D640	LSQ971/KL/-X	LED		
R807	NRSA63J-104X	MG RESISTOR	100kΩ 1/16W J		D641	LSQ971/KL/-X	LED		
R808	NRSA63J-101X	MG RESISTOR	100Ω 1/16W J		D642	LSQ971/KL/-X	LED		
R809	NRSA63J-104X	MG RESISTOR	100kΩ 1/16W J		D643	LSQ971/KL/-X	LED		
R810	NRSA63J-392X	MG RESISTOR	3.9kΩ 1/16W J		D644	LSQ971/KL/-X	LED		
R811	NRSA63J-682X	MG RESISTOR	6.8kΩ 1/16W J		D645	LSQ971/KL/-X	LED		
R812	NRSA63J-104X	MG RESISTOR	100kΩ 1/16W J		D646	LSQ971/KL/-X	LED		
R813	NRSA63J-102X	MG RESISTOR	1kΩ 1/16W J		D647	LSQ971/KL/-X	LED		
R814	NRSA63J-101X	MG RESISTOR	100Ω 1/16W J		D648	LSQ971/KL/-X	LED		
R819	NRSA63J-104X	MG RESISTOR	100kΩ 1/16W J		D649	LSQ971/KL/-X	LED		
R881	NRSA63J-473X	MG RESISTOR	47kΩ 1/16W J		D650	LSQ971/KL/-X	LED		
R882	NRSA63J-472X	MG RESISTOR	4.7kΩ 1/16W J		D651	NSPW310BS/BRST/	LED		
R883	NRSA63J-682X	MG RESISTOR	6.8kΩ 1/16W J		D652	NSPW310BS/BRST/	LED		
R884	NRSA63J-123X	MG RESISTOR	12kΩ 1/16W J		D661	1SS355W-X	DIODE		
R885	NRSA63J-102X	MG RESISTOR	1kΩ 1/16W J		D661	or MA111-X	SI DIODE		
R891	NRSA63J-102X	MG RESISTOR	1kΩ 1/16W J		D662	UDZW5.1B-X	SB DIODE		
R892	NRSA63J-473X	MG RESISTOR	47kΩ 1/16W J		D662	or MA8051M/-X	Z DIODE		
R901	QRE142J-102X	C RESISTOR	1kΩ 1/4W J		C661	NCB21AK-105X	C CAPACITOR	1uF 10V K	
R902	NRSA02J-912X	MG RESISTOR	9.1kΩ 1/10W J		C662	NCS31HJ-681X	C CAPACITOR	680pF 50V J	
R903	NRSA02J-472X	MG RESISTOR	4.7kΩ 1/10W J		C663	NCB31CK-223X	C CAPACITOR	0.022uF 16V K	
R938	NRSA63J-0R0X	MG RESISTOR	0Ω 1/16W J		C682	NCB31HK-103X	C CAPACITOR	0.01uF 50V K	
R971	NRS181J-222X	MG RESISTOR	2.2kΩ 1/8W J		R601	NRSA63J-821X	MG RESISTOR	820Ω 1/16W J	
R972	NRS181J-222X	MG RESISTOR	2.2kΩ 1/8W J		R602	NRSA63J-821X	MG RESISTOR	820Ω 1/16W J	
R976	NRSA02J-273X	MG RESISTOR	27kΩ 1/10W J		R603	NRSA63J-122X	MG RESISTOR	1.2kΩ 1/16W J	
R977	NRSA02J-123X	MG RESISTOR	12kΩ 1/10W J		R604	NRSA63J-182X	MG RESISTOR	1.8kΩ 1/16W J	
L1	QQL244J-4R7Z	P COIL	4.7uH J		R605	NRSA63J-272X	MG RESISTOR	2.7kΩ 1/16W J	
L2	NQL553J-6N8X	COIL	6.8nH J		R606	NRSA63J-821X	MG RESISTOR	820Ω 1/16W J	
L3	NQL553J-6N8X	COIL	6.8nH J		R607	NRSA63J-821X	MG RESISTOR	820Ω 1/16W J	
L401	NQL79GM-100X	COIL	10uH M		R608	NRSA63J-122X	MG RESISTOR	1.2kΩ 1/16W J	
L402	NQL114M-4R7X	COIL	4.7uH M		R609	NRSA63J-182X	MG RESISTOR	1.8kΩ 1/16W J	
L410	NQR0536-001X	CHOKO COIL			R610	NRSA63J-272X	MG RESISTOR	2.7kΩ 1/16W J	
L701	NQL114M-4R7X	COIL	4.7uH M		R611	NRSA63J-821X	MG RESISTOR	820Ω 1/16W J	
L702	NQL114M-4R7X	COIL	4.7uH M		R612	NRSA63J-821X	MG RESISTOR	820Ω 1/16W J	
L901	QQR1695-001	CHOKO COIL			R613	NRSA63J-122X	MG RESISTOR	1.2kΩ 1/16W J	
CN401	QGB1214K1-06S	CONNECTOR	B-B (1-6)		R614	NRSA63J-182X	MG RESISTOR	1.8kΩ 1/16W J	
CN402	QGB1214J1-06S	CONNECTOR	B-B (1-6)		R615	NRSA63J-272X	MG RESISTOR	2.7kΩ 1/16W J	
CN403	QNZ0906-001	CONNECTOR			R631	NRSA63J-101X	MG RESISTOR	100Ω 1/16W J	
CN501	QGB2027M4-22S	CONNECTOR	B-B (1-22)		R632	NRSA63J-101X	MG RESISTOR	100Ω 1/16W J	
CN701	QGZ1601J1-12	CONNECTOR	(1-12)		R633	NRSA63J-101X	MG RESISTOR	100Ω 1/16W J	
CN702	QGA2001C1-02	CONNECTOR	W-B (1-2)		R634	NRSA63J-271X	MG RESISTOR	270Ω 1/16W J	
CN901	QNZ0611-001	16P CONNECTOR			R636	NRSA63J-561X	MG RESISTOR	560Ω 1/16W J	
F401	NAD0031-004X	N THERMISTOR	Ω		R638	NRSA63J-561X	MG RESISTOR	560Ω 1/16W J	
J1	QNB0190-001	CAR ANT JACK			R640	NRSA63J-621X	MG RESISTOR	620Ω 1/16W J	
J321	QNN0802-001	PIN JACK			R642	NRSA63J-561X	MG RESISTOR	560Ω 1/16W J	
J801	QNZ0095-001	CONNECTOR			R644	NRSA63J-561X	MG RESISTOR	560Ω 1/16W J	
PP1	QZW0010-001	STYLE PIN			R646	NRSA63J-561X	MG RESISTOR	560Ω 1/16W J	
S701	QSW0648-001Z	TACT SW			R648	NRSA63J-561X	MG RESISTOR	560Ω 1/16W J	
△ TU1	QAU0481-001	TUNER			R650	NRSA63J-561X	MG RESISTOR	560Ω 1/16W J	
X71	QAX0263-001Z	CRYSTAL	4.332MHz		R652	NRSA63J-621X	MG RESISTOR	620Ω 1/16W J	
X401	NAX0832-001X	CRYSTAL			R654	NRSA63J-621X	MG RESISTOR	620Ω 1/16W J	
X521	QAX0714-001Z	C RESONATOR	16.000MHz		R656	NRS181J-181X	MG RESISTOR	180Ω 1/8W J	
X701	QAX0667-001Z	C RESONATOR	8.000MHz		R661	NRSA63J-222X	MG RESISTOR	2.2kΩ 1/16W J	
X702	QAX0401-001	CRYSTAL	32.768KHz		R662	NRSA63J-222X	MG RESISTOR	2.2kΩ 1/16W J	
					R663	NRSA63J-225X	MG RESISTOR	2.2MΩ 1/16W J	
					R664	NRSA63J-103X	MG RESISTOR	10kΩ 1/16W J	
					R665	NRSA63J-513X	MG RESISTOR	51kΩ 1/16W J	
					R666	NRSA63J-103X	MG RESISTOR	10kΩ 1/16W J	
					R667	NRSA63J-103X	MG RESISTOR	10kΩ 1/16W J	
					R668	NRSA63J-103X	MG RESISTOR	10kΩ 1/16W J	
					R681	NRSA63J-471X	MG RESISTOR	470Ω 1/16W J	
					R682	NRSA63J-103X	MG RESISTOR	10kΩ 1/16W J	
					R691	NRSA63J-392X	MG RESISTOR	3.9kΩ 1/16W J	
					R692	NRSA63J-103X	MG RESISTOR	10kΩ 1/16W J	

Switch board(G631,G632)

Block No. [0][2]

△ Symbol No.	Part No.	Part Name	Description	Local
IC661	LC75823W-UJ	IC		
IC681	RPM7338-V4	RM.RECEIVER		
D631	SML-310VT/JK/-X	LED		
D632	SML-310VT/JK/-X	LED		
D633	MC2838-X	DIODE		
D633	or MA152WK-X	SI DIODE		
CN601	QGZ1601K1-12S	CONNECTOR	(1-12)	
JS686	QSW1163-001	ROTARY ENCODER		
S601	NSW0124-001X	TACT SW		
S602	NSW0124-001X	TACT SW		
S603	NSW0124-001X	TACT SW		
S604	NSW0124-001X	TACT SW		

△ Symbol No.	Part No.	Part Name	Description	Local
S605	NSW0124-001X	TACT SW		
S607	NSW0124-001X	TACT SW		
S608	NSW0124-001X	TACT SW		
S609	NSW0124-001X	TACT SW		
S610	NSW0124-001X	TACT SW		
S611	NSW0124-001X	TACT SW		
S612	NSW0124-001X	TACT SW		
S613	NSW0124-001X	TACT SW		
S614	NSW0124-001X	TACT SW		
S615	NSW0124-001X	TACT SW		
S616	NSW0124-001X	TACT SW		
S617	NSW0124-001X	TACT SW		
S618	NSW0124-001X	TACT SW		

△ Symbol No.	Part No.	Part Name	Description	Local
D401	or MA8051/M/-X	Z DIODE		
D402	UDZW5.1B-X	SB DIODE		
D402	or MA8051/M/-X	Z DIODE		
D501	1A3G-T1	SI DIODE		
D701	UDZW6.2B-X	Z DIODE		
D701	or MA8062/M/-X	Z DIODE		
D702	UDZW6.2B-X	Z DIODE		
D702	or MA8062/M/-X	Z DIODE		
D703	UDZW6.2B-X	Z DIODE		
D703	or MA8062/M/-X	Z DIODE		
D704	UDZW6.2B-X	Z DIODE		
D704	or MA8062/M/-X	Z DIODE		
D705	UDZW6.2B-X	Z DIODE		
D705	or MA8062/M/-X	Z DIODE		
D706	UDZW6.2B-X	Z DIODE		
D706	or MA8062/M/-X	Z DIODE		
D707	UDZW6.2B-X	Z DIODE		
D707	or MA8062/M/-X	Z DIODE		
D708	UDZW6.2B-X	Z DIODE		
D708	or MA8062/M/-X	Z DIODE		
D709	UDZW6.2B-X	Z DIODE		
D709	or MA8062/M/-X	Z DIODE		
D712	1SS355W-X	DIODE		
D712	or MA111-X	SI DIODE		
D713	UDZW5.6B-X	Z DIODE		
D713	or MA8056/M/-X	Z DIODE		
D781	1SS355W-X	DIODE		
D781	or MA111-X	SI DIODE		
D782	1SS355W-X	DIODE		
D782	or MA111-X	SI DIODE		
D784	UDZW11B-X	Z DIODE		
D784	or MA8110/M/-X	Z DIODE		
D785	1SS355W-X	DIODE		
D785	or MA111-X	SI DIODE		
D786	1SS355W-X	DIODE		
D786	or MA111-X	SI DIODE		
D787	1SS355W-X	DIODE		
D787	or MA111-X	SI DIODE		
D851	CRS03-W	SB DIODE		
D851	or RB160M-30-X	SB DIODE		
D851	or MA22D23-X	SB DIODE		
D852	CRS03-W	SB DIODE		
D852	or RB160M-30-X	SB DIODE		
D852	or MA22D23-X	SB DIODE		
D891	MC2836-X	DIODE		
D891	or MA152WA-X	DIODE		
D901	1N5401-F64	SI DIODE		
D901	or 1N5401-TU-15	SI DIODE		
D902	GS1J-X	DIODE		
D931	1A3G-T1	SI DIODE		
D932	CRS03-W	SB DIODE		
D932	or RB160M-30-X	SB DIODE		
D932	or MA22D23-X	SB DIODE		
D971	CRS03-W	SB DIODE		
D971	or RB160M-30-X	SB DIODE		
D971	or MA22D23-X	SB DIODE		
D972	CRS03-W	SB DIODE		
D972	or RB160M-30-X	SB DIODE		
D972	or MA22D23-X	SB DIODE		
D996	CRS03-W	SB DIODE		
D996	or RB160M-30-X	SB DIODE		
D996	or MA22D23-X	SB DIODE		
D997	CRS03-W	SB DIODE		
D997	or RB160M-30-X	SB DIODE		
D997	or MA22D23-X	SB DIODE		
C1	QEKJ1AM-227Z	E CAPACITOR	220uF 10V M	
C2	QEKJ1CM-476Z	E CAPACITOR	47uF 16V M	
C3	NCB31CK-104X	C CAPACITOR	0.1uF 16V K	
C4	NCB31CK-104X	C CAPACITOR	0.1uF 16V K	
C5	NCB31CK-104X	C CAPACITOR	0.1uF 16V K	
C6	NCB31CK-104X	C CAPACITOR	0.1uF 16V K	
C7	NCB31CK-224X	C CAPACITOR	0.22uF 16V K	
C9	NDC31HJ-5R0X	C CAPACITOR	5pF 50V J	
C81	QTE1H57-105Z	E CAPACITOR	1uF 50V	
C91	QTE1H57-105Z	E CAPACITOR	1uF 50V	
C161	QTE1H57-105Z	E CAPACITOR	1uF 50V	
C162	QTE1H57-105Z	E CAPACITOR	1uF 50V	

Main board(G635,G634,G638)

Block No. [0][3]

△ Symbol No.	Part No.	Part Name	Description	Local
IC161	TDA7419N-X	IC		
△ IC301	TB2904HQ	IC		
IC401	MN103SFB5KW2C	IC		
△ IC501	LA6242H-X	IC		
IC521	MN6627945EE	IC		
IC581	NJM4565E-X	IC		
△ IC701	MN101E16KWA	IC		
IC702	S-80824CNNB-G-W	IC		
IC702	or IC-PST3424U-X	IC		
IC771	S-24CS04AFJ-G-X	IC		
IC801	74AHCT126PW-X	IC		
△ IC901	AN34001A	REGULATOR IC		
IC931	BA05CCOWT-V5	REGULATOR IC		
IC981	NJU7772F15-X	IC		
Q1	RT1N141C-X	DIGI TRANSISTOR		
Q1	or UN2211-X	TRANSISTOR		
Q301	RT1N141C-X	DIGI TRANSISTOR		
Q301	or UN2211-X	TRANSISTOR		
Q321	RT6N430C-X	TRANSISTOR		
Q331	RT6N430C-X	TRANSISTOR		
Q341	RT6N430C-X	TRANSISTOR		
Q351	RT6N430C-X	TRANSISTOR		
Q501	2SA1705/ST/-T	TRANSISTOR		
Q521	2SA1530A/QR/-X	TRANSISTOR		
Q521	or 2SB709A/QR/-X	TRANSISTOR		
Q781	RT1P141C-X	DIGI TRANSISTOR		
Q781	or UN2111-X	TRANSISTOR		
Q782	RT6N430C-X	TRANSISTOR		
Q784	RT1P141C-X	DIGI TRANSISTOR		
Q784	or UN2111-X	TRANSISTOR		
Q785	RT1P141C-X	DIGI TRANSISTOR		
Q785	or UN2111-X	TRANSISTOR		
Q881	RT1N141C-X	DIGI TRANSISTOR		
Q881	or UN2211-X	TRANSISTOR		
Q882	RT1P141C-X	DIGI TRANSISTOR		
Q882	or UN2111-X	TRANSISTOR		
Q883	RT1N141C-X	DIGI TRANSISTOR		
Q883	or UN2211-X	TRANSISTOR		
Q891	RT1N141C-X	DIGI TRANSISTOR		
Q891	or UN2211-X	TRANSISTOR		
Q976	RT1N141C-X	DIGI TRANSISTOR		
Q976	or UN2211-X	TRANSISTOR		
Q977	2SA1530A/QR/-X	TRANSISTOR		
Q977	or 2SB709A/QR/-X	TRANSISTOR		
D1	1SS355W-X	DIODE		
D1	or MA111-X	SI DIODE		
D2	1SS355W-X	DIODE		
D2	or MA111-X	SI DIODE		
D321	MC2836-X	DIODE		
D321	or MA152WA-X	DIODE		
D331	MC2836-X	DIODE		
D331	or MA152WA-X	DIODE		
D401	UDZW5.1B-X	SB DIODE		

△ Symbol No.	Part No.	Part Name	Description	Local	△ Symbol No.	Part No.	Part Name	Description	Local
C163	QTE1H54-225Z	E CAPACITOR	2.2uF 50V		C540	NCS31HJ-681X	C CAPACITOR	680pF 50V J	
C164	NCB31AK-474X	C CAPACITOR	0.47uF 10V K		C541	NCB31EK-153X	C CAPACITOR	0.015uF 25V K	
C171	QTE1H57-105Z	E CAPACITOR	1uF 50V		C542	NCB31EK-104X	C CAPACITOR	0.1uF 25V K	
C172	QTE1H57-105Z	E CAPACITOR	1uF 50V		C543	NCB31HK-102X	C CAPACITOR	1000pF 50V K	
C173	QTE1H54-225Z	E CAPACITOR	2.2uF 50V		C544	NCB31EK-823X	C CAPACITOR	0.082uF 25V K	
C174	NCB31AK-474X	C CAPACITOR	0.47uF 10V K		C545	NCB31EK-104X	C CAPACITOR	0.1uF 25V K	
C177	NCB31AK-224X	C CAPACITOR	0.22uF 10V K		C547	QTE0J57-476Z	E CAPACITOR	47uF 6.3V	
C178	QEKJ1CM-106Z	E CAPACITOR	10uF 16V M		C548	QTE0J57-476Z	E CAPACITOR	47uF 6.3V	
C183	QEKJ1AM-227Z	E CAPACITOR	220uF 10V M		C549	NCB31EK-104X	C CAPACITOR	0.1uF 25V K	
C184	NCB31CK-104X	C CAPACITOR	0.1uF 16V K		C551	NCB31EK-104X	C CAPACITOR	0.1uF 25V K	
C301	QFV91HJ-474Z	MF CAPACITOR	0.47uF 50V J		C552	QEKJ0JM-476Z	E CAPACITOR	47uF 6.3V M	
C302	QFV91HJ-474Z	MF CAPACITOR	0.47uF 50V J		C583	NDC31HJ-821X	C CAPACITOR	820pF 50V J	
C303	NDC31HJ-101X	C CAPACITOR	100pF 50V J		C584	NDC31HJ-821X	C CAPACITOR	820pF 50V J	
C304	NDC31HJ-101X	C CAPACITOR	100pF 50V J		C585	QTE1H54-225Z	E CAPACITOR	2.2uF 50V	
C307	QEKJ1CM-476Z	E CAPACITOR	47uF 16V M		C586	QTE1H54-225Z	E CAPACITOR	2.2uF 50V	
C311	QFV91HJ-474Z	MF CAPACITOR	0.47uF 50V J		C587	NDC31HJ-151X	C CAPACITOR	150pF 50V J	
C312	QFV91HJ-474Z	MF CAPACITOR	0.47uF 50V J		C588	NDC31HJ-151X	C CAPACITOR	150pF 50V J	
C313	NDC31HJ-101X	C CAPACITOR	100pF 50V J		C590	QTE0J57-476Z	E CAPACITOR	47uF 6.3V	
C314	NDC31HJ-101X	C CAPACITOR	100pF 50V J		C591	QTE1A57-107Z	E CAPACITOR	100uF 10V	
C315	QEKJ1HM-225Z	E CAPACITOR	2.2uF 50V M		C592	NCB31EK-104X	C CAPACITOR	0.1uF 25V K	
C316	QEKJ1EM-475Z	E CAPACITOR	4.7uF 25V M		C703	NDC31HJ-270X	C CAPACITOR	27pF 50V J	
C317	QEKJ1HM-225Z	E CAPACITOR	2.2uF 50V M		C704	NDC31HJ-270X	C CAPACITOR	27pF 50V J	
C318	QEKJ1HM-225Z	E CAPACITOR	2.2uF 50V M		C705	NCB31EK-103X	C CAPACITOR	0.01uF 25V K	
C319	NCB31EK-223X	C CAPACITOR	0.022uF 25V K		C706	NCB31EK-103X	C CAPACITOR	0.01uF 25V K	
C320	NCB31EK-223X	C CAPACITOR	0.022uF 25V K		C707	QEKJ1AM-107Z	E CAPACITOR	100uF 10V M	
C322	NCB31HK-472X	C CAPACITOR	4700pF 50V K		C708	NCB31CK-104X	C CAPACITOR	0.1uF 16V K	
C323	NCB31HK-472X	C CAPACITOR	4700pF 50V K		C709	NCB31CK-104X	C CAPACITOR	0.1uF 16V K	
C324	NCB31HK-472X	C CAPACITOR	4700pF 50V K		C711	QTE0J57-476Z	E CAPACITOR	47uF 6.3V	
C325	NCB31HK-472X	C CAPACITOR	4700pF 50V K		C712	NCB31HK-103X	C CAPACITOR	0.01uF 50V K	
C365	QEKJ1EM-475Z	E CAPACITOR	4.7uF 25V M		C714	NCB31CK-104X	C CAPACITOR	0.1uF 16V K	
C366	QEKJ1EM-475Z	E CAPACITOR	4.7uF 25V M		C715	NCB31CK-104X	C CAPACITOR	0.1uF 16V K	
C385	QEKJ1EM-475Z	E CAPACITOR	4.7uF 25V M		C717	NCB31CK-104X	C CAPACITOR	0.1uF 16V K	
C386	QEKJ1EM-475Z	E CAPACITOR	4.7uF 25V M		C718	NCB31CK-104X	C CAPACITOR	0.1uF 16V K	
C391	QEKJ1CM-476Z	E CAPACITOR	47uF 16V M		C719	QEKJ1AM-107Z	E CAPACITOR	100uF 10V M	
C401	NDC31HJ-220X	C CAPACITOR	22pF 50V J		C720	NCB31AK-474X	C CAPACITOR	0.47uF 10V K	
C402	NDC31HJ-220X	C CAPACITOR	22pF 50V J		C721	NCB31CK-104X	C CAPACITOR	0.1uF 16V K	
C403	NCJ11EK-106X-R	C CAPACITOR	10uF 25V		C722	QEKJ1EM-475Z	E CAPACITOR	4.7uF 25V M	
C404	NCB31CK-104X	C CAPACITOR	0.1uF 16V K		C726	NDC31HJ-391X	C CAPACITOR	390pF 50V J	
C405	QEKJ1CM-106Z	E CAPACITOR	10uF 16V M		C727	NDC31HJ-391X	C CAPACITOR	390pF 50V J	
C406	QEKJ1CM-106Z	E CAPACITOR	10uF 16V M		C771	NCB31EK-473X	C CAPACITOR	0.047uF 25V K	
C407	NCB31EK-104X	C CAPACITOR	0.1uF 25V K		C781	QEKJ0JM-107Z	E CAPACITOR	100uF 6.3V M	
C408	NCB31EK-104X	C CAPACITOR	0.1uF 25V K		C784	QEKJ1CM-107Z	E CAPACITOR	100uF 16V M	
C409	QEKJ1CM-106Z	E CAPACITOR	10uF 16V M		C785	QEKJ0JM-107Z	E CAPACITOR	100uF 6.3V M	
C410	NCB31CK-104X	C CAPACITOR	0.1uF 16V K		C801	NCB31CK-473X	C CAPACITOR	0.047uF 16V K	
C411	NCB31CK-104X	C CAPACITOR	0.1uF 16V K		C851	QEKJ1CM-106Z	E CAPACITOR	10uF 16V M	
C412	NCB31CK-104X	C CAPACITOR	0.1uF 16V K		C852	NCB31CK-224X	C CAPACITOR	0.22uF 16V K	
C413	NCB31CK-104X	C CAPACITOR	0.1uF 16V K		C881	QEKJ1CM-226Z	E CAPACITOR	22uF 16V M	
C414	QTE0J57-476Z	E CAPACITOR	47uF 6.3V		C891	NCB31EK-104X	C CAPACITOR	0.1uF 25V K	
C416	NCB31AK-474X	C CAPACITOR	0.47uF 10V K		C901	QEZ0769-278	E CAPACITOR	2700uF	
C418	NCJ11EK-106X-R	C CAPACITOR	10uF 25V		C902	QEKJ1HM-225Z	E CAPACITOR	2.2uF 50V M	
C452	NCB31CK-104X	C CAPACITOR	0.1uF 16V K		C903	QEKJ1CM-476Z	E CAPACITOR	47uF 16V M	
C501	QEKJ0JM-227Z	E CAPACITOR	220uF 6.3V M		C904	QEKJ1CM-106Z	E CAPACITOR	10uF 16V M	
C503	QEKJ1AM-227Z	E CAPACITOR	220uF 10V M		C905	QEKJ1CM-476Z	E CAPACITOR	47uF 16V M	
C504	NCB31EK-104X	C CAPACITOR	0.1uF 25V K		C906	NCB31HK-103X	C CAPACITOR	0.01uF 50V K	
C506	NCB31HK-103X	C CAPACITOR	0.01uF 50V K		C907	QEKJ1AM-227Z	E CAPACITOR	220uF 10V M	
C511	NCB31HK-222X	C CAPACITOR	2200pF 50V K		C908	QEKJ1AM-227Z	E CAPACITOR	220uF 10V M	
C513	NCB31HK-682X	C CAPACITOR	6800pF 50V K		C909	QERF0JM-337Z	E CAPACITOR	330uF 6.3V M	
C515	NCB31HK-122X	C CAPACITOR	1200pF 50V K		C910	QEKJ1CM-106Z	E CAPACITOR	10uF 16V M	
C517	NCB31HK-182X	C CAPACITOR	1800pF 50V K		C911	NCB31CK-104X	C CAPACITOR	0.1uF 16V K	
C518	NDC31HJ-680X	C CAPACITOR	68pF 50V J		C912	NCB31HK-103X	C CAPACITOR	0.01uF 50V K	
C521	NCB31EK-104X	C CAPACITOR	0.1uF 25V K		C913	QEKJ1CM-106Z	E CAPACITOR	10uF 16V M	
C522	NCB31AK-334X	C CAPACITOR	0.33uF 10V K		C914	QEKJ1CM-107Z	E CAPACITOR	100uF 16V M	
C523	NDC31HJ-101X	C CAPACITOR	100pF 50V J		C915	NCB31CK-104X	C CAPACITOR	0.1uF 16V K	
C524	NDC31HJ-561X	C CAPACITOR	560pF 50V J		C916	NCB31HK-103X	C CAPACITOR	0.01uF 50V K	
C525	NCB31CK-223X	C CAPACITOR	0.022uF 16V K		C917	QERF0JM-337Z	E CAPACITOR	330uF 6.3V M	
C526	NCB31CK-223X	C CAPACITOR	0.022uF 16V K		C931	QEKJ1EM-475Z	E CAPACITOR	4.7uF 25V M	
C527	NCB31EK-332X	C CAPACITOR	3300pF 25V K		C938	NCB31EK-104X	C CAPACITOR	0.1uF 25V K	
C528	NDC31HJ-181X	C CAPACITOR	180pF 50V J		C971	NCB31EK-104X	C CAPACITOR	0.1uF 25V K	
C529	NCB31HK-103X	C CAPACITOR	0.01uF 50V K		C982	NCB31EK-104X	C CAPACITOR	0.1uF 25V K	
C530	NCB31HK-103X	C CAPACITOR	0.01uF 50V K		C983	QEKJ0JM-107Z	E CAPACITOR	100uF 6.3V M	
C531	NCB31AK-334X	C CAPACITOR	0.33uF 10V K		C984	NCB31EK-104X	C CAPACITOR	0.1uF 25V K	
C532	NCB31AK-334X	C CAPACITOR	0.33uF 10V K		R3	NRSA63J-102X	MG RESISTOR	1kΩ 1/16W J	
C533	QEKJ0JM-476Z	E CAPACITOR	47uF 6.3V M		R9	NRSA63J-103X	MG RESISTOR	10kΩ 1/16W J	
C534	NCB31EK-332X	C CAPACITOR	3300pF 25V K		R10	NRSA63J-473X	MG RESISTOR	47kΩ 1/16W J	
C535	NCB31EK-104X	C CAPACITOR	0.1uF 25V K		R11	NRSA63J-472X	MG RESISTOR	4.7kΩ 1/16W J	
C536	QEKJ0JM-476Z	E CAPACITOR	47uF 6.3V M		R12	NRSA63J-331X	MG RESISTOR	330Ω 1/16W J	
C537	QEKJ0JM-476Z	E CAPACITOR	47uF 6.3V M		R13	NRSA63J-472X	MG RESISTOR	4.7kΩ 1/16W J	
C539	NCB31EK-104X	C CAPACITOR	0.1uF 25V K						

△ Symbol No.	Part No.	Part Name	Description	Local	△ Symbol No.	Part No.	Part Name	Description	Local
R14	NRSA63J-331X	MG RESISTOR	330Ω 1/16W J		R515	NRSA63J-153X	MG RESISTOR	15kΩ 1/16W J	
R15	NRSA63J-102X	MG RESISTOR	1kΩ 1/16W J		R516	NRSA63J-102X	MG RESISTOR	1kΩ 1/16W J	
R16	NRSA63J-332X	MG RESISTOR	3.3kΩ 1/16W J		R517	NRSA63J-153X	MG RESISTOR	15kΩ 1/16W J	
R17	NRSA63J-0R0X	MG RESISTOR	0Ω 1/16W J		R518	NRSA63J-562X	MG RESISTOR	5.6kΩ 1/16W J	
R21	NRS181J-120X	MG RESISTOR	12Ω 1/8W J		R519	NRSA63J-203X	MG RESISTOR	20kΩ 1/16W J	
R22	NRS181J-120X	MG RESISTOR	12Ω 1/8W J		R520	NRS181J-220X	MG RESISTOR	22Ω 1/8W J	
R81	NRSA63J-153X	MG RESISTOR	15kΩ 1/16W J		R521	NRSA63J-105X	MG RESISTOR	1MΩ 1/16W J	
R82	NRSA63J-682X	MG RESISTOR	6.8kΩ 1/16W J		R522	NRSA63J-221X	MG RESISTOR	220Ω 1/16W J	
R91	NRSA63J-153X	MG RESISTOR	15kΩ 1/16W J		R524	NRSA63J-102X	MG RESISTOR	1kΩ 1/16W J	
R92	NRSA63J-682X	MG RESISTOR	6.8kΩ 1/16W J		R525	NRSA63J-101X	MG RESISTOR	100Ω 1/16W J	
R171	NRSA63J-101X	MG RESISTOR	100Ω 1/16W J		R526	NRSA63J-101X	MG RESISTOR	100Ω 1/16W J	
R172	NRSA63J-101X	MG RESISTOR	100Ω 1/16W J		R527	NRSA63J-101X	MG RESISTOR	100Ω 1/16W J	
R301	NRSA63J-102X	MG RESISTOR	1kΩ 1/16W J		R528	NRSA63J-101X	MG RESISTOR	100Ω 1/16W J	
R302	NRSA63J-102X	MG RESISTOR	1kΩ 1/16W J		R529	NRSA63J-101X	MG RESISTOR	100Ω 1/16W J	
R303	NRSA63J-122X	MG RESISTOR	1.2kΩ 1/16W J		R533	NRSA63J-0R0X	MG RESISTOR	0Ω 1/16W J	
R304	NRSA63J-122X	MG RESISTOR	1.2kΩ 1/16W J		R535	NRSA63J-103X	MG RESISTOR	10kΩ 1/16W J	
R305	NRSA63J-102X	MG RESISTOR	1kΩ 1/16W J		R537	NRSA63J-155X	MG RESISTOR	1.5MΩ 1/16W J	
R306	NRSA63J-102X	MG RESISTOR	1kΩ 1/16W J		R538	NRSA63J-0R0X	MG RESISTOR	0Ω 1/16W J	
R307	NRSA63J-273X	MG RESISTOR	27kΩ 1/16W J		R539	NRSA63J-0R0X	MG RESISTOR	0Ω 1/16W J	
R308	NRSA63J-271X	MG RESISTOR	270Ω 1/16W J		R540	NRSA63J-303X	MG RESISTOR	30kΩ 1/16W J	
R311	NRSA63J-102X	MG RESISTOR	1kΩ 1/16W J		R541	NRSA63J-393X	MG RESISTOR	39kΩ 1/16W J	
R312	NRSA63J-102X	MG RESISTOR	1kΩ 1/16W J		R542	NRSA63J-472X	MG RESISTOR	4.7kΩ 1/16W J	
R313	NRSA63J-122X	MG RESISTOR	1.2kΩ 1/16W J		R543	NRSA63J-102X	MG RESISTOR	1kΩ 1/16W J	
R314	NRSA63J-122X	MG RESISTOR	1.2kΩ 1/16W J		R544	NRSA63J-102X	MG RESISTOR	1kΩ 1/16W J	
R321	NRSA63J-0R0X	MG RESISTOR	0Ω 1/16W J		R545	NRSA63J-332X	MG RESISTOR	3.3kΩ 1/16W J	
R322	NRSA63J-821X	MG RESISTOR	820Ω 1/16W J		R548	NRSA63J-332X	MG RESISTOR	3.3kΩ 1/16W J	
R323	NRSA02J-101X	MG RESISTOR	100Ω 1/10W J		R554	NRSA63J-4R7X	MG RESISTOR	4.7Ω 1/16W J	
R331	NRSA63J-0R0X	MG RESISTOR	0Ω 1/16W J		R556	NRSA63J-473X	MG RESISTOR	47kΩ 1/16W J	
R332	NRSA63J-821X	MG RESISTOR	820Ω 1/16W J		R558	NRSA63J-823X	MG RESISTOR	82kΩ 1/16W J	
R333	NRSA02J-101X	MG RESISTOR	100Ω 1/10W J		R559	NRSA63J-821X	MG RESISTOR	820Ω 1/16W J	
R341	NRSA63J-0R0X	MG RESISTOR	0Ω 1/16W J		R565	NRSA63J-151X	MG RESISTOR	150Ω 1/16W J	
R342	NRSA63J-821X	MG RESISTOR	820Ω 1/16W J		R566	NRSA63J-100X	MG RESISTOR	10Ω 1/16W J	
R343	NRSA02J-101X	MG RESISTOR	100Ω 1/10W J		R568	NRSA63J-0R0X	MG RESISTOR	0Ω 1/16W J	
R351	NRSA63J-0R0X	MG RESISTOR	0Ω 1/16W J		R583	NRSA63J-153X	MG RESISTOR	15kΩ 1/16W J	
R352	NRSA63J-821X	MG RESISTOR	820Ω 1/16W J		R584	NRSA63J-153X	MG RESISTOR	15kΩ 1/16W J	
R353	NRSA02J-101X	MG RESISTOR	100Ω 1/10W J		R585	NRSA63J-562X	MG RESISTOR	5.6kΩ 1/16W J	
R363	NRSA63J-473X	MG RESISTOR	47kΩ 1/16W J		R586	NRSA63J-562X	MG RESISTOR	5.6kΩ 1/16W J	
R367	NRSA63J-473X	MG RESISTOR	47kΩ 1/16W J		R587	NRSA63J-273X	MG RESISTOR	27kΩ 1/16W J	
R383	NRSA63J-473X	MG RESISTOR	47kΩ 1/16W J		R588	NRSA63J-273X	MG RESISTOR	27kΩ 1/16W J	
R387	NRSA63J-473X	MG RESISTOR	47kΩ 1/16W J		R589	NRSA63J-0R0X	MG RESISTOR	0Ω 1/16W J	
R401	NRSA63J-102X	MG RESISTOR	1kΩ 1/16W J		R590	NRSA63J-0R0X	MG RESISTOR	0Ω 1/16W J	
R402	NRSA63J-102X	MG RESISTOR	1kΩ 1/16W J		R591	NRSA63J-103X	MG RESISTOR	10kΩ 1/16W J	
R403	NRSA63J-0R0X	MG RESISTOR	0Ω 1/16W J		R592	NRSA63J-103X	MG RESISTOR	10kΩ 1/16W J	
R404	NRSA63J-151X	MG RESISTOR	150Ω 1/16W J		R593	NRSA63J-223X	MG RESISTOR	22kΩ 1/16W J	
R406	NRSA63J-0R0X	MG RESISTOR	0Ω 1/16W J		R594	NRSA63J-223X	MG RESISTOR	22kΩ 1/16W J	
R409	NRSA63J-102X	MG RESISTOR	1kΩ 1/16W J		R701	NRSA63J-103X	MG RESISTOR	10kΩ 1/16W J	
R410	NRSA63J-102X	MG RESISTOR	1kΩ 1/16W J		R702	NRSA63J-103X	MG RESISTOR	10kΩ 1/16W J	
R411	NRSA63J-153X	MG RESISTOR	15kΩ 1/16W J		R703	NRSA63J-104X	MG RESISTOR	100kΩ 1/16W J	
R412	NRSA63J-153X	MG RESISTOR	15kΩ 1/16W J		R704	NRSA63J-104X	MG RESISTOR	100kΩ 1/16W J	
R413	NRS181J-0R0X	MG RESISTOR	0Ω 1/8W J		R705	NRSA63J-103X	MG RESISTOR	10kΩ 1/16W J	
R414	NRSA63J-330X	MG RESISTOR	33Ω 1/16W J		R712	NRSA63J-331X	MG RESISTOR	330Ω 1/16W J	
R415	NRSA63J-330X	MG RESISTOR	33Ω 1/16W J		R714	NRSA63J-0R0X	MG RESISTOR	0Ω 1/16W J	
R417	NRS181J-0R0X	MG RESISTOR	0Ω 1/8W J		R716	NRSA63J-102X	MG RESISTOR	1kΩ 1/16W J	
R418	NRSA63J-103X	MG RESISTOR	10kΩ 1/16W J		R717	NRSA63J-102X	MG RESISTOR	1kΩ 1/16W J	
R450	NRSA63J-0R0X	MG RESISTOR	0Ω 1/16W J		R718	NRSA63J-102X	MG RESISTOR	1kΩ 1/16W J	
R451	NRSA63J-0R0X	MG RESISTOR	0Ω 1/16W J		R719	NRSA63J-102X	MG RESISTOR	1kΩ 1/16W J	
R452	NRSA63J-0R0X	MG RESISTOR	0Ω 1/16W J		R720	NRSA63J-102X	MG RESISTOR	1kΩ 1/16W J	
R453	NRSA63J-103X	MG RESISTOR	10kΩ 1/16W J		R721	NRSA63J-102X	MG RESISTOR	1kΩ 1/16W J	
R454	NRSA63J-103X	MG RESISTOR	10kΩ 1/16W J		R722	NRSA63J-101X	MG RESISTOR	100Ω 1/16W J	
R460	NRSA63J-0R0X	MG RESISTOR	0Ω 1/16W J		R723	NRSA63J-103X	MG RESISTOR	10kΩ 1/16W J	
R461	NRSA63J-0R0X	MG RESISTOR	0Ω 1/16W J		R724	NRSA63J-103X	MG RESISTOR	10kΩ 1/16W J	
R462	NRSA63J-0R0X	MG RESISTOR	0Ω 1/16W J		R725	NRSA63J-101X	MG RESISTOR	100Ω 1/16W J	
R463	NRSA63J-0R0X	MG RESISTOR	0Ω 1/16W J		R726	NRSA63J-273X	MG RESISTOR	27kΩ 1/16W J	
R468	NRSA63J-103X	MG RESISTOR	10kΩ 1/16W J		R727	NRSA63J-122X	MG RESISTOR	1.2kΩ 1/16W J	
R500	NRS181J-220X	MG RESISTOR	22Ω 1/8W J		R728	NRSA63J-0R0X	MG RESISTOR	0Ω 1/16W J	
R501	NRSA63J-822X	MG RESISTOR	8.2kΩ 1/16W J		R729	NRSA63J-104X	MG RESISTOR	100kΩ 1/16W J	
R502	NRSA63J-822X	MG RESISTOR	8.2kΩ 1/16W J		R730	NRSA63J-104X	MG RESISTOR	100kΩ 1/16W J	
R503	NRSA63J-512X	MG RESISTOR	5.1kΩ 1/16W J		R731	NRSA63J-104X	MG RESISTOR	100kΩ 1/16W J	
R505	NRSA63J-113X	MG RESISTOR	11kΩ 1/16W J		R736	NRSA63J-222X	MG RESISTOR	2.2kΩ 1/16W J	
R506	NRSA63J-103X	MG RESISTOR	10kΩ 1/16W J		R737	NRSA63J-222X	MG RESISTOR	2.2kΩ 1/16W J	
R507	NRSA63J-153X	MG RESISTOR	15kΩ 1/16W J		R738	NRSA63J-222X	MG RESISTOR	2.2kΩ 1/16W J	
R508	NRSA63J-332X	MG RESISTOR	3.3kΩ 1/16W J		R739	NRSA63J-101X	MG RESISTOR	100Ω 1/16W J	
R509	NRSA63J-104X	MG RESISTOR	100kΩ 1/16W J		R741	NRSA63J-101X	MG RESISTOR	100Ω 1/16W J	
R510	NRSA63J-273X	MG RESISTOR	27kΩ 1/16W J		R742	NRSA63J-101X	MG RESISTOR	100Ω 1/16W J	
R511	NRSA63J-153X	MG RESISTOR	15kΩ 1/16W J		R743	NRSA63J-101X	MG RESISTOR	100Ω 1/16W J	
R512	NRSA63J-562X	MG RESISTOR	5.6kΩ 1/16W J		R744	NRSA63J-101X	MG RESISTOR	100Ω 1/16W J	
R513	NRSA63J-103X	MG RESISTOR	10kΩ 1/16W J		R745	NRSA63J-271X	MG RESISTOR	270Ω 1/16W J	
R514	NRSA63J-562X	MG RESISTOR	5.6kΩ 1/16W J		R746	NRSA63J-104X	MG RESISTOR	100kΩ 1/16W J	

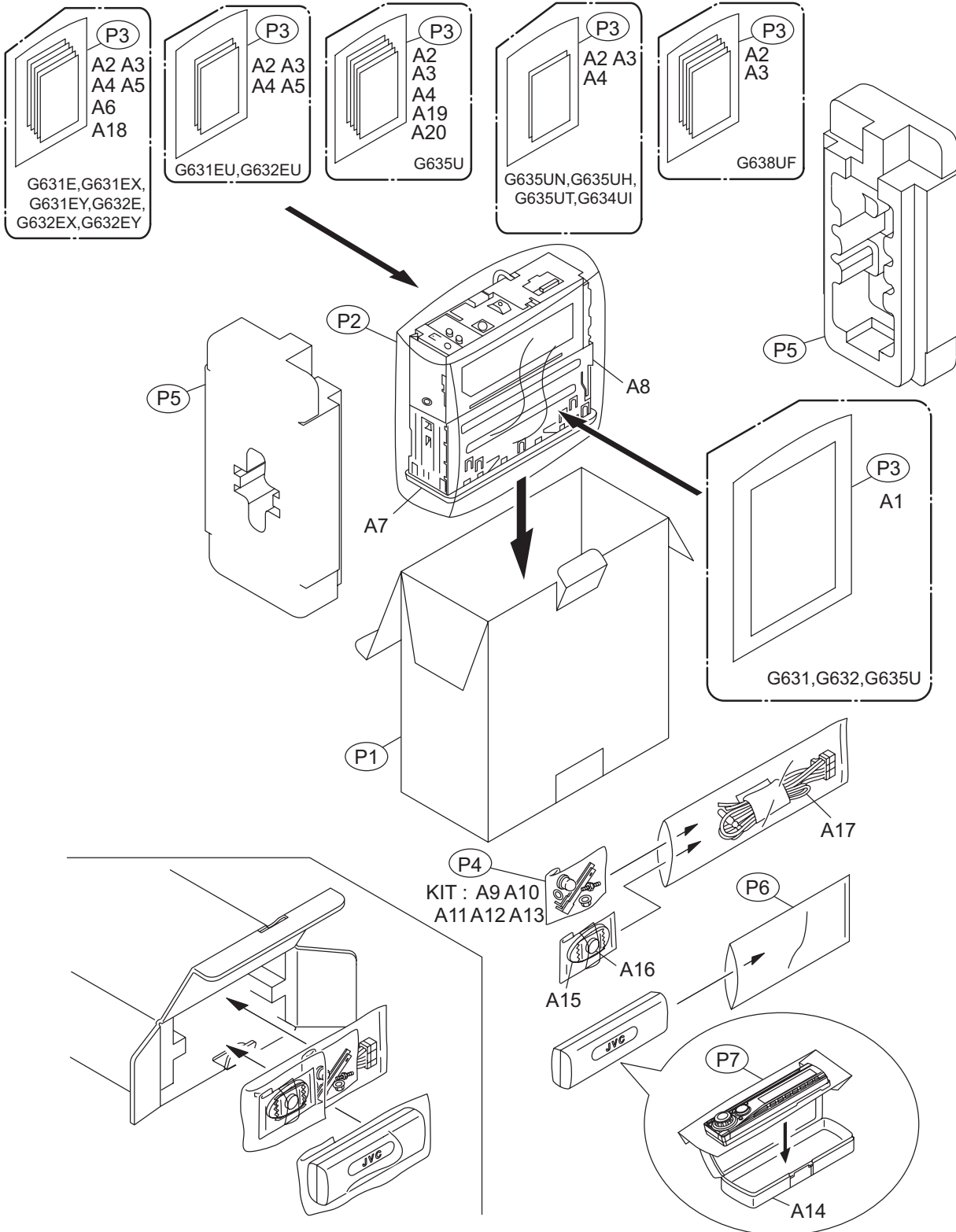
△ Symbol No.	Part No.	Part Name	Description	Local	△ Symbol No.	Part No.	Part Name	Description	Local
R747	NRSA63J-103X	MG RESISTOR	10kΩ 1/16W J		△ TU1	QAU0481-001	TUNER		
R748	NRSA63J-102X	MG RESISTOR	1kΩ 1/16W J		X401	NAX0832-001X	CRYSTAL		
R749	NRSA63J-102X	MG RESISTOR	1kΩ 1/16W J		X521	QAX0714-001Z	C RESONATOR	16.000MHz	
R750	NRSA63J-101X	MG RESISTOR	100Ω 1/16W J		X701	QAX0667-001Z	C RESONATOR	8.000MHz	
R751	NRSA63J-101X	MG RESISTOR	100Ω 1/16W J		X702	QAX0401-001	CRYSTAL	32.768KHz	
R752	NRSA63J-472X	MG RESISTOR	4.7kΩ 1/16W J		Switch board(G635,G634,G638)				
R753	NRSA63J-472X	MG RESISTOR	4.7kΩ 1/16W J		Block No. [0][4]				
R754	NRSA63J-472X	MG RESISTOR	4.7kΩ 1/16W J		△ Symbol No.	Part No.	Part Name	Description	Local
R755	NRSA63J-472X	MG RESISTOR	4.7kΩ 1/16W J		IC661	LC75823W-UJ	IC		
R756	NRSA63J-472X	MG RESISTOR	4.7kΩ 1/16W J		IC681	RPM7338-V4	RM.RECEIVER		
R757	NRSA63J-472X	MG RESISTOR	4.7kΩ 1/16W J		D631	SML-310LT/MN/-X	LED		
R758	NRSA63J-473X	MG RESISTOR	47kΩ 1/16W J		D632	SML-310LT/MN/-X	LED		
R761	NRSA63J-101X	MG RESISTOR	100Ω 1/16W J		D633	MC2838-X	DIODE		
R762	NRSA63J-101X	MG RESISTOR	100Ω 1/16W J		D633	or MA152WK-X	SI DIODE		
R763	NRSA63J-823X	MG RESISTOR	82kΩ 1/16W J		D634	SML-310LT/MN/-X	LED		
R764	NRSA63J-823X	MG RESISTOR	82kΩ 1/16W J		D635	SML-310LT/MN/-X	LED		
R765	NRSA63J-153X	MG RESISTOR	15kΩ 1/16W J		D636	SML-310LT/MN/-X	LED		
R771	NRSA63J-271X	MG RESISTOR	270Ω 1/16W J		D637	SML-310LT/MN/-X	LED		
R772	NRSA63J-271X	MG RESISTOR	270Ω 1/16W J		D638	SML-310LT/MN/-X	LED		
R774	NRSA63J-473X	MG RESISTOR	47kΩ 1/16W J		D639	SML-310LT/MN/-X	LED		
R775	NRSA63J-222X	MG RESISTOR	2.2kΩ 1/16W J		D640	SML-310LT/MN/-X	LED		
R779	NRSA63J-101X	MG RESISTOR	100Ω 1/16W J		D641	SML-310LT/MN/-X	LED		
R781	NRSA63J-473X	MG RESISTOR	47kΩ 1/16W J		D642	SML-310LT/MN/-X	LED		
R782	NRSA63J-0R0X	MG RESISTOR	0Ω 1/16W J		D643	SML-310LT/MN/-X	LED		
R783	NRSA63J-103X	MG RESISTOR	10kΩ 1/16W J		D644	SML-310LT/MN/-X	LED		
R801	NRSA63J-102X	MG RESISTOR	1kΩ 1/16W J		D645	SML-310LT/MN/-X	LED		
R802	NRSA63J-104X	MG RESISTOR	100kΩ 1/16W J		D646	SML-310LT/MN/-X	LED		
R803	NRSA63J-333X	MG RESISTOR	33kΩ 1/16W J		D647	SML-310LT/MN/-X	LED		
R804	NRSA63J-183X	MG RESISTOR	18kΩ 1/16W J		D648	SML-310LT/MN/-X	LED		
R805	NRSA63J-0R0X	MG RESISTOR	0Ω 1/16W J		D649	SML-310LT/MN/-X	LED		
R806	NRSA63J-102X	MG RESISTOR	1kΩ 1/16W J		D650	SML-310LT/MN/-X	LED		
R807	NRSA63J-104X	MG RESISTOR	100kΩ 1/16W J		D651	NSPW310BS/BRST/	LED		
R808	NRSA63J-101X	MG RESISTOR	100Ω 1/16W J		D652	NSPW310BS/BRST/	LED		
R809	NRSA63J-104X	MG RESISTOR	100kΩ 1/16W J		D661	1SS355W-X	DIODE		
R810	NRSA63J-392X	MG RESISTOR	3.9kΩ 1/16W J		D661	or MA111-X	SI DIODE		
R811	NRSA63J-682X	MG RESISTOR	6.8kΩ 1/16W J		D662	UDZW5.1B-X	SB DIODE		
R812	NRSA63J-104X	MG RESISTOR	100kΩ 1/16W J		D662	or MA8051/M/-X	Z DIODE		
R813	NRSA63J-102X	MG RESISTOR	1kΩ 1/16W J		C661	NCB21AK-105X	C CAPACITOR	1uF 10V K	
R814	NRSA63J-101X	MG RESISTOR	100Ω 1/16W J		C662	NCS31HJ-681X	C CAPACITOR	680pF 50V J	
R819	NRSA63J-104X	MG RESISTOR	100kΩ 1/16W J		C663	NCB31CK-223X	C CAPACITOR	0.022uF 16V K	
R851	NRSA63J-103X	MG RESISTOR	10kΩ 1/16W J		C682	NCB31HK-103X	C CAPACITOR	0.01uF 50V K	
R881	NRSA63J-473X	MG RESISTOR	47kΩ 1/16W J		R601	NRSA63J-821X	MG RESISTOR	820Ω 1/16W J	
R882	NRSA63J-472X	MG RESISTOR	4.7kΩ 1/16W J		R602	NRSA63J-821X	MG RESISTOR	820Ω 1/16W J	
R883	NRSA63J-682X	MG RESISTOR	6.8kΩ 1/16W J		R603	NRSA63J-122X	MG RESISTOR	1.2kΩ 1/16W J	
R884	NRSA63J-123X	MG RESISTOR	12kΩ 1/16W J		R604	NRSA63J-182X	MG RESISTOR	1.8kΩ 1/16W J	
R885	NRSA63J-102X	MG RESISTOR	1kΩ 1/16W J		R605	NRSA63J-272X	MG RESISTOR	2.7kΩ 1/16W J	
R891	NRSA63J-102X	MG RESISTOR	1kΩ 1/16W J		R606	NRSA63J-821X	MG RESISTOR	820Ω 1/16W J	
R892	NRSA63J-473X	MG RESISTOR	47kΩ 1/16W J		R607	NRSA63J-821X	MG RESISTOR	820Ω 1/16W J	
R901	QRE142J-102X	C RESISTOR	1kΩ 1/4W J		R608	NRSA63J-122X	MG RESISTOR	1.2kΩ 1/16W J	
R902	NRSA02J-912X	MG RESISTOR	9.1kΩ 1/10W J		R609	NRSA63J-182X	MG RESISTOR	1.8kΩ 1/16W J	
R903	NRSA02J-472X	MG RESISTOR	4.7kΩ 1/10W J		R610	NRSA63J-272X	MG RESISTOR	2.7kΩ 1/16W J	
R938	NRSA63J-0R0X	MG RESISTOR	0Ω 1/16W J		R611	NRSA63J-821X	MG RESISTOR	820Ω 1/16W J	
R971	NRS181J-222X	MG RESISTOR	2.2kΩ 1/8W J		R612	NRSA63J-821X	MG RESISTOR	820Ω 1/16W J	
R972	NRS181J-222X	MG RESISTOR	2.2kΩ 1/8W J		R613	NRSA63J-122X	MG RESISTOR	1.2kΩ 1/16W J	
R976	NRSA02J-273X	MG RESISTOR	27kΩ 1/10W J		R614	NRSA63J-182X	MG RESISTOR	1.8kΩ 1/16W J	
R977	NRSA02J-123X	MG RESISTOR	12kΩ 1/10W J		R615	NRSA63J-272X	MG RESISTOR	2.7kΩ 1/16W J	
L1	QQL244J-4R7Z	P COIL	4.7uH J		R631	NRSA63J-101X	MG RESISTOR	100Ω 1/16W J	
L2	NQL553J-6N8X	COIL	6.8nH J		R632	NRSA63J-101X	MG RESISTOR	100Ω 1/16W J	
L3	NQL553J-6N8X	COIL	6.8nH J		R633	NRSA63J-101X	MG RESISTOR	100Ω 1/16W J	
L401	NQL79GM-100X	COIL	10uH M		R634	NRSA63J-271X	MG RESISTOR	270Ω 1/16W J	
L402	NQL114M-4R7X	COIL	4.7uH M		R636	NRSA63J-561X	MG RESISTOR	560Ω 1/16W J	
L410	NQR0536-001X	CHOKE COIL			R638	NRSA63J-561X	MG RESISTOR	560Ω 1/16W J	
L701	NQL114M-4R7X	COIL	4.7uH M		R640	NRSA63J-621X	MG RESISTOR	620Ω 1/16W J	
L702	NQL114M-4R7X	COIL	4.7uH M		R642	NRSA63J-561X	MG RESISTOR	560Ω 1/16W J	
L901	QQR1695-001	CHOKE COIL			R644	NRSA63J-561X	MG RESISTOR	560Ω 1/16W J	
CN401	QGB1214K1-06S	CONNECTOR	B-B (1-6)		R646	NRSA63J-561X	MG RESISTOR	560Ω 1/16W J	
CN402	QGB1214J1-06S	CONNECTOR	B-B (1-6)		R648	NRSA63J-561X	MG RESISTOR	560Ω 1/16W J	
CN403	QNZ0906-001	CONNECTOR							
CN501	QGB2027M4-22S	CONNECTOR	B-B (1-22)						
CN701	QGZ1601J1-12	CONNECTOR	(1-12)						
CN901	QNZ0611-001	16P CONNECTOR							
F401	NAD0031-004X	N THERMISTOR	Ω						
J1	QNB0190-001	CAR ANT JACK							
J321	QNN0815-001	PIN JACK							
J801	QNZ0095-001	CONNECTOR							
S701	QSW0648-001Z	TACT SW							

Symbol No.	Part No.	Part Name	Description	Local
R650	NRSA63J-561X	MG RESISTOR	560Ω 1/16W J	
R652	NRSA63J-621X	MG RESISTOR	620Ω 1/16W J	
R654	NRSA63J-621X	MG RESISTOR	620Ω 1/16W J	
R656	NRS181J-181X	MG RESISTOR	180Ω 1/8W J	
R661	NRSA63J-222X	MG RESISTOR	2.2kΩ 1/16W J	
R662	NRSA63J-222X	MG RESISTOR	2.2kΩ 1/16W J	
R663	NRSA63J-225X	MG RESISTOR	2.2MΩ 1/16W J	
R664	NRSA63J-103X	MG RESISTOR	10kΩ 1/16W J	
R665	NRSA63J-513X	MG RESISTOR	51kΩ 1/16W J	
R666	NRSA63J-103X	MG RESISTOR	10kΩ 1/16W J	
R667	NRSA63J-103X	MG RESISTOR	10kΩ 1/16W J	
R668	NRSA63J-103X	MG RESISTOR	10kΩ 1/16W J	
R681	NRSA63J-471X	MG RESISTOR	470Ω 1/16W J	
R682	NRSA63J-103X	MG RESISTOR	10kΩ 1/16W J	
R691	NRSA63J-392X	MG RESISTOR	3.9kΩ 1/16W J	
R692	NRSA63J-103X	MG RESISTOR	10kΩ 1/16W J	
CN601	QGZ1601K1-12S	CONNECTOR	(1-12)	
JS686	QSW1163-001	ROTARY ENCODER		
S601	NSW0124-001X	TACT SW		
S602	NSW0124-001X	TACT SW		
S603	NSW0124-001X	TACT SW		
S604	NSW0124-001X	TACT SW		
S605	NSW0124-001X	TACT SW		
S607	NSW0124-001X	TACT SW		
S608	NSW0124-001X	TACT SW		
S609	NSW0124-001X	TACT SW		
S610	NSW0124-001X	TACT SW		
S611	NSW0124-001X	TACT SW		
S612	NSW0124-001X	TACT SW		
S613	NSW0124-001X	TACT SW		
S614	NSW0124-001X	TACT SW		
S615	NSW0124-001X	TACT SW		
S616	NSW0124-001X	TACT SW		
S617	NSW0124-001X	TACT SW		
S618	NSW0124-001X	TACT SW		

Packing materials and accessories parts list

Block No. **M 3 M M**

No additional / supplemental order of WARRANTY CARDS are available



The parts without symbol number are not service.

Packing and Accessories

Block No. [M][3][M][M]

△	Symbol No.	Part No.	Part Name	Description	Local
	A 1	GET0424-001A	INST BOOK	GER FRE ITA	G631E,G632E
	A 1	GET0424-003A	INST BOOK	ENG FRE	G631EX,G631EU,G632EX,G632EU
	A 1	GET0424-006A	INST BOOK	ENG GER RUS	G631EY,G632EY
	A 1	GET0421-002A	INST BOOK	KOR CHI(TAIWAN) ARA PER	G635U
	A 2	GET0424-002A	INST BOOK	SPA GRE POR	G631E,G632E
	A 2	GET0424-004A	INST BOOK	DUT SWE DAN FIN	G631EX,G632EX
	A 2	GET0424-005A	INST BOOK	SPA TUR PER	G631EU,G632EU
	A 2	GET0424-007A	INST BOOK	POL CZE HUN	G631EY,G632EY
	A 2	GET0421-001A	INST BOOK	ENG THA	G635U,G635UH
	A 2	GET0421-004A	INST BOOK	ENG INA	G635UN
	A 2	GET0421-005A	INST BOOK	ENG CHI(TAIWAI)	G635UT
	A 2	GET0422-001A	INST BOOK	ENG	G634UI
	A 2	GET0423-001A	INST BOOK	CHI(PEKIN)	G638UF
	A 3	GET0424-008A	INSTALL MANUAL	GER FRE ITA	G631E,G632E
	A 3	GET0424-010A	INSTALL MANUAL	ENG FRE	G631EX,G631EU,G632EX,G632EU
	A 3	GET0424-013A	INSTALL MANUAL	ENG GER RUS	G631EY,G632EY
	A 3	GET0421-006A	INSTALL MANUAL	ENG THA	G635U,G635UH
	A 3	GET0421-009A	INSTALL MANUAL	ENG INA	G635UN
	A 3	GET0421-010A	INSTALL MANUAL	ENG CHI(TAIWAI)	G635UT
	A 3	GET0422-002A	INSTALL MANUAL	ENG	G634UI
	A 3	GET0423-002A	INSTALL MANUAL	CHI(PEKIN)	G638UF
	A 4	GET0424-009A	INSTALL MANUAL	SPA GRE POR	G631E,G632E
	A 4	GET0424-011A	INSTALL MANUAL	DUT SWE DAN FIN	G631EX,G632EX
	A 4	GET0424-012A	INSTALL MANUAL	SPA TUR PER	G631EU,G632EU
	A 4	GET0424-014A	INSTALL MANUAL	POL CZE HUN	G631EY,G632EY
	A 4	GET0421-007A	INSTALL MANUAL	KOR CHI(TAIWAN) ARA PER	G635U
	A 5	-----	WARRANTY CARD	BT-54031-1	G631E,G631EX,G631EY,G632E,G632EX,G632EY
	A 6	VND3046-001	SERIAL TICKET		G631E,G631EX,G631EY,G632E,G632EX,G632EY
	A 7	GE20204-007A	TRIM PLATE		G631E,G631EX,G631EU,G631EY,G632E,G632EX,G632EY
	A 7	GE20204-001A	TRIM PLATE		G632E,G632EX,G632EU,G632EY
	A 7	GE20204-008A	TRIM PLATE		G638UF
	A 8	GE20137-003A	MOUNTING SLEEVE		
	A 9	VKZ4027-202	PLUG NUT		
	A10	VKH4871-003	MOUNT BOLT		
	A11	VKZ4328-003	LOCK NUT		
	A12	QYVWS53A008ZA	WASHER	0mm/5.3mm x (x2)	
	A13	GE40130-002A	HOOK		
	A14	GE32149-001A	HARD CASE ASSY		
	A15	RM-RK50C	REMOCON		
	A16	-----	BATTERY	3V	
△	A17	QAM0569-002	CAR PLUG CODE		G631E,G631EX,G631EU,G631EY,G632E,G632EX,G632EU,G632EY
△	A17	QAM0308-004	CAR PLUG CODE		G635U,G635UN,G635UH,G635UT,G634UI
△	A17	QAM0980-001	CAR PLUG CODE		G638UF
	A18	VND3050-002	IDENTITY CARD		G631E,G631EX,G631EY,G632E,G632EX,G632EY
	A19	GET0421-003A	INST BOOK	RUS	G635U
	A20	GET0421-008A	INSTALL MANUAL	RUS	G635U
	KIT	SRW-385U	SCREW PARTS KIT	A9 A10 A11 A12 A13	
	P 1	GE32535-003A	CARTON		G631E,G631EX,G631EU,G631EY
	P 1	GE32538-002A	CARTON		G632E,G632EX,G632EU,G632EY
	P 1	GE32469-002A	CARTON		G635U,G635UN,G635UH,G635UT
	P 1	GE32529-002A	CARTON		G634UI
	P 1	GE32532-001A	CARTON		G638UF
	P 2	QPC03004315P	POLY BAG	30cm x 43cm	
	P 3	FSPG4002-001	POLY BAG	(x2)	G631E,G631EX,G631EU,G631EY,G632E,G632EX,G632EU,G632EY,G635U
	P 3	FSPG4002-001	POLY BAG		G635UN,G635UH,G635UT,G634UI,G638UF
	P 4	QPA00801205	POLY BAG	8cm x 12cm	
	P 5	GE10156-002A	EPS CUSHION		
	P 6	QPA01003003	POLY BAG	10cm x 30cm	
	P 7	QPC01002515	POLY BAG	10cm x 25cm	